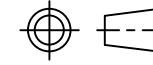


DO NOT SCALE

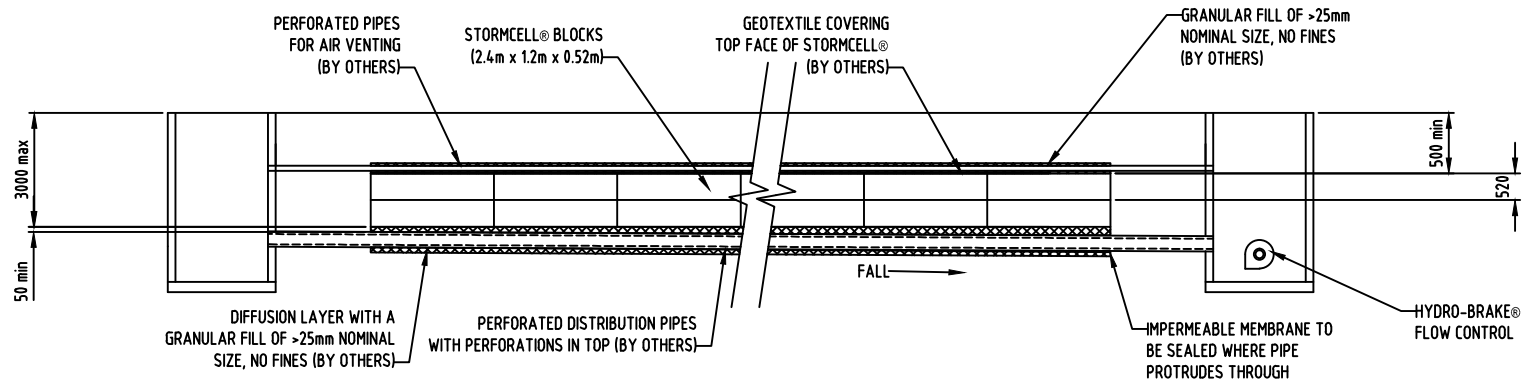
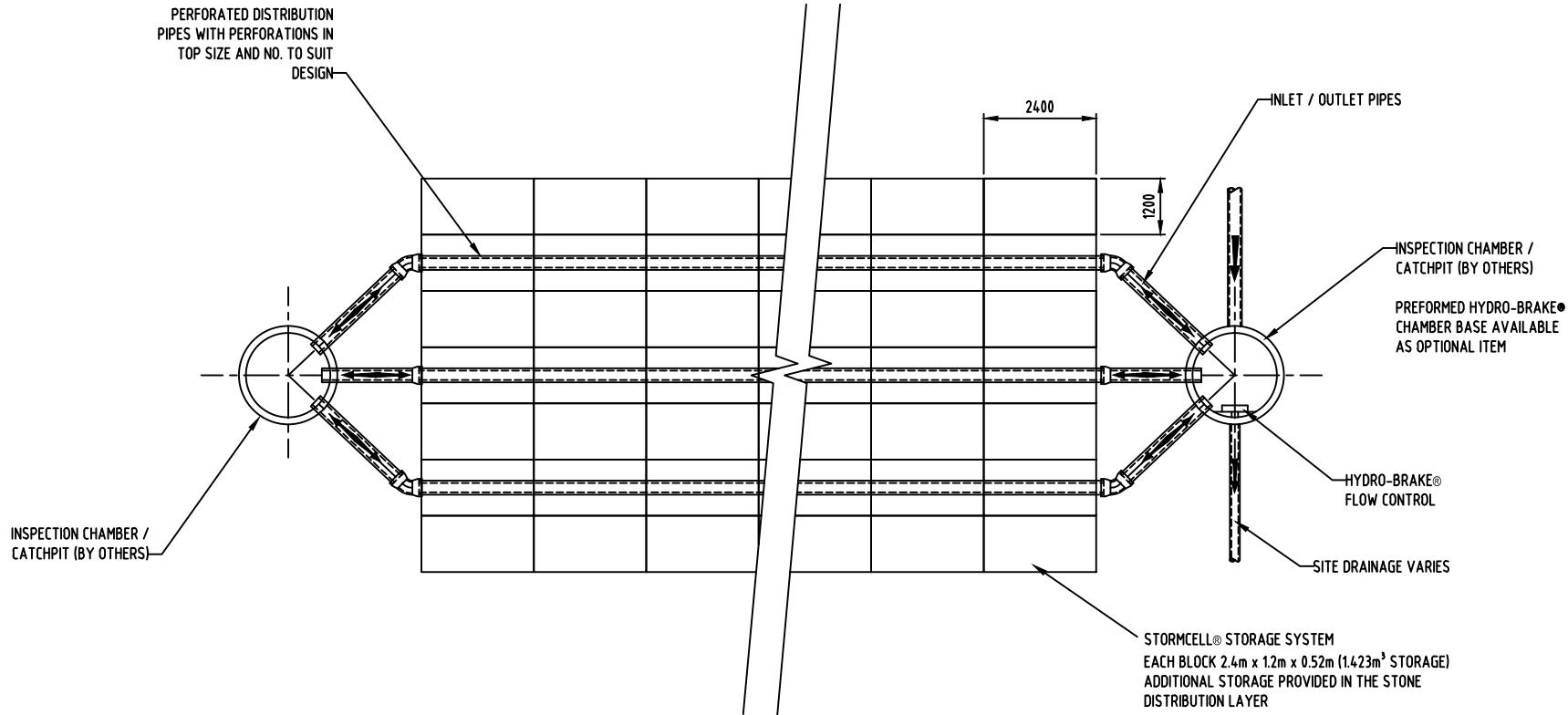
IF IN DOUBT ASK

PROJECTION



Notes

1. THIS DRAWING IS AN A3 SIZE ORIGINAL.
2. THIS DRAWING SHALL BE READ IN CONJUNCTION WITH ALL OTHER RELEVANT (eg. CIVIL) DRAWINGS AND SPECIFICATIONS.
3. ALL DIMENSIONS IN MILLIMETRES UNLESS OTHERWISE STATED



Rev	By	Date	Description
Date			Scale
23 Jun 05			1:100
Drawn by		Checked by	Approved by
MRG			

Title
STORMCELL STORAGE SYSTEM
STORMWATER ATTENUATION
TYPICAL LAYOUT
- OFFLINE, TWO LAYERS



Shearwater House,
 Clevedon Hall Estate,
 Victoria Road, Clevedon,
 North Somerset. BS21 7RD
 Tel: 01275 878371
 Fax: 01275 874979
 email:
 enquiries@hydro-international.co.uk

CAD Ref: 0

© 2002
 Hydro International

Any warranty given by Hydro International will apply only to those items supplied by it. Accordingly Hydro International cannot accept any responsibility for any structure, plant, or equipment, (or the performance there-of) designed, built, manufactured, or supplied by any third party. Hydro International have a policy of continuous product development and reserve the right to amend the specification. Hydro International cannot accept liability for performance of its equipment, (or any part there-of), if the equipment is subject to conditions outside any design specification. Hydro International owns the copyright of this drawing, which is supplied in confidence. It must not be used for any purpose other than that for which it is supplied and must not be reproduced, in whole or in part, without prior permission in writing from Hydro International.

Ref. No.	P:\Dwgs\	Rev.	B
Drawing No.	SK1		