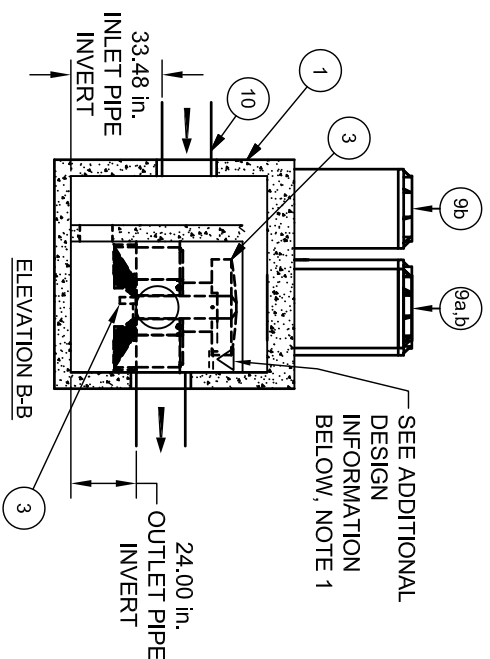
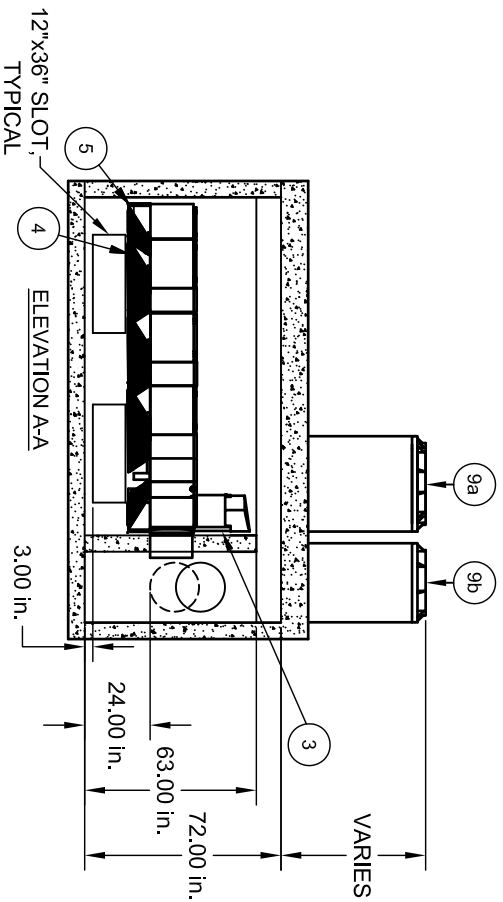
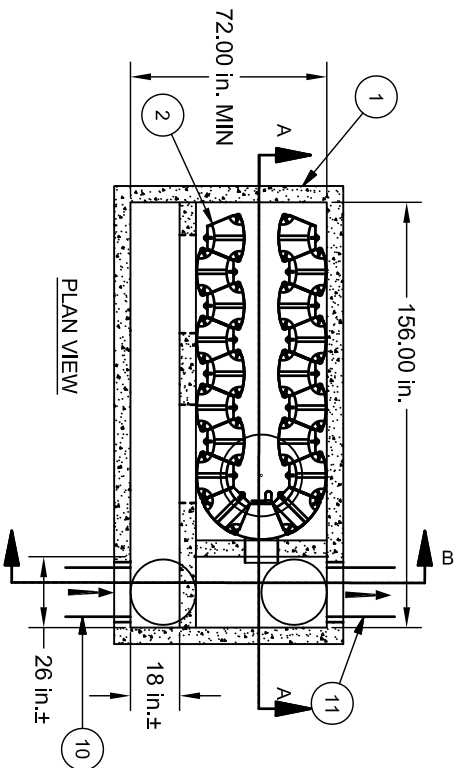


**NOT FOR CONSTRUCTION, EXAMPLE ONLY,
DRAWING WILL BE MODIFIED TO SUIT
REQUIREMENTS OF SITE.**



CAPACITIES:

1. Minimum performance: 80% removal of Silt-Co-Silt 106 (d50 = 22 microns) at the peak treatment flow.
2. NJDEP peak treatment flow: 0.056 cfs/module * OR 0.66 acres of Imperviousness/module, whichever results in the greater number of modules.
3. Maximum number of modules: 19 **
4. Exact vault and pipe sizes may vary.

ADDITIONAL DESIGN INFORMATION:

1. * Normal operating W.S.E. is 2.46' above the outlet invert at the peak treatment flow of 0.056 cfs/module. For a given flow the head requirement can be reduced by adding additional filters.
2. ** Treatment flows that require more modules will require a larger vault design or different arrangement.
3. Media Type: CPZ

ITEM	QTY	DESCRIPTION	SIZE
1	1	PRECAST VAULT (BY HYDRO VIA PRECASTER)	72 in x 156 in
2	18	FILTER MODULE	
	18	FILTER BAG SET	
3	1	OUTLET MODULE w/ BRACKET, BYPASS HOOD & DRAINDOWN	
4	4,4	DUAL SUPPORT BRACKET w/ ANGLED SCREEN	RIGHT, LEFT
5	2	SINGLE SUPPORT BRACKET w/ ANGLED SCREEN	
6	2	BACKER PLATE FOR SINGLE SUPPORT	
7	2	TRIANGULAR MOUNTING BRACKET	
8	0	ADDITIONAL DRAINDOWN	
9a, 9b	1, 2	FRAME AND COVERS	30 in, 24 in
10	1	INLET PIPE (BY OTHERS)	15 in
11	1	OUTLET PIPE (BY OTHERS)	15 in

Parts List

REVISION HISTORY

REV	BY	DATE	DESCRIPTION
C	JL	2/02/15	NOTES
Date	3/19/13	Scale	NTS
Drawn	RC	Checked	Approved

Title

6-FT x 13-FT VAULT
UP-FLO FILTER
18 MODULES (19 MAX)

1-ROW VAULT



Stormwater Solutions
94 Hutchins Drive
Portland, Maine 04102
Tel: (207) 756-6200
Fax: (207) 756-6212
stormwaterinquiry@hydro-int.com

CAD Ref: GA, 19MZ-UFF

Project No.

DrawingNo. 19MZ-UFF Rev. C

Any warranty made by Hydro International only applies to those items supplied by it. Hydro International does not accept and expressly disclaims any responsibility or liability for any structure, plant or equipment (or the performance thereof) designed, built, manufactured or supplied by any third-party. Hydro International has a policy of continuous product development and reserves the right to amend the specifications of any of its products or equipment at any time. Hydro International expressly disclaims any liability for the performance of its equipment (or any part thereof) used or made subject to conditions other than for which it was supplied and not reproduced, in whole or in part, the drawing or any of the equipment or structures depicted therein, without prior written permission of Hydro International.