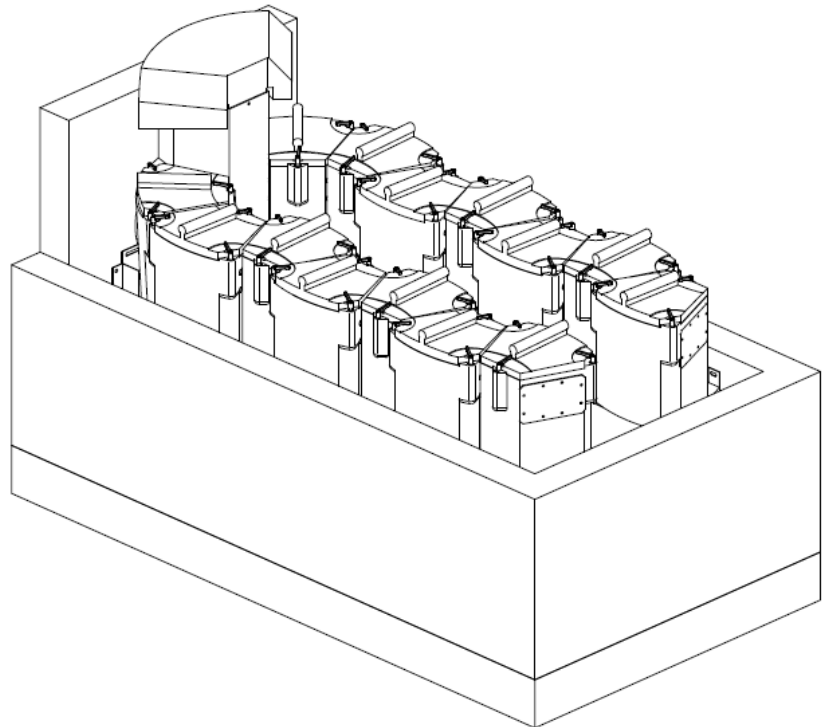
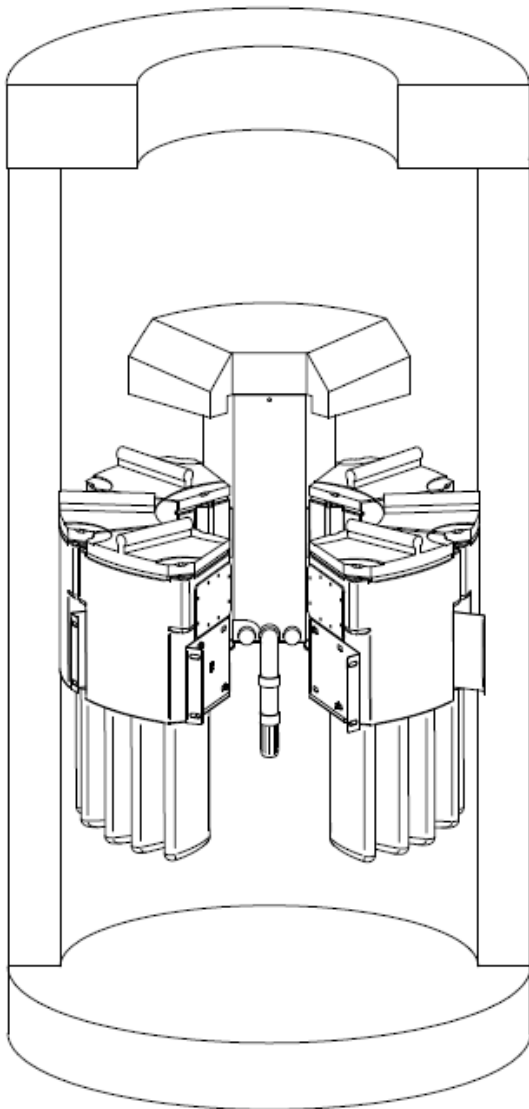
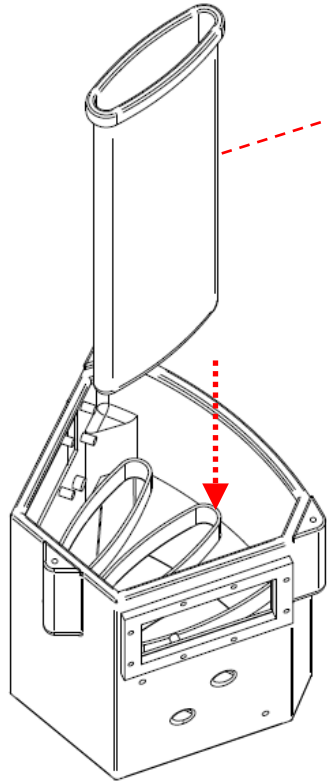
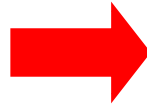


Up-Flo[®] Filter Filter Ribbons Installation Guidelines





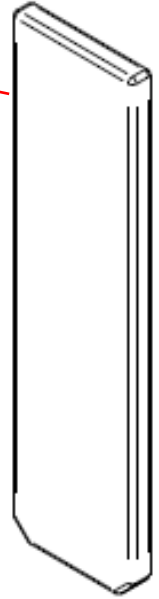
Filter Ribbons
x 3



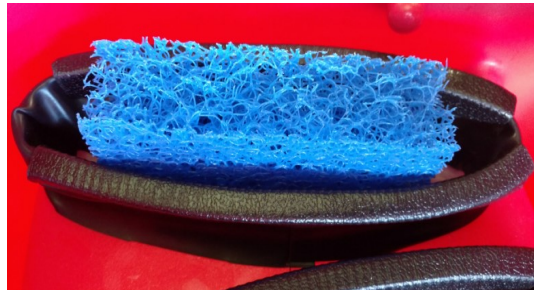
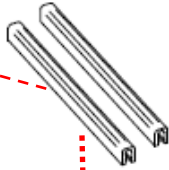
Matala Insert
x 3



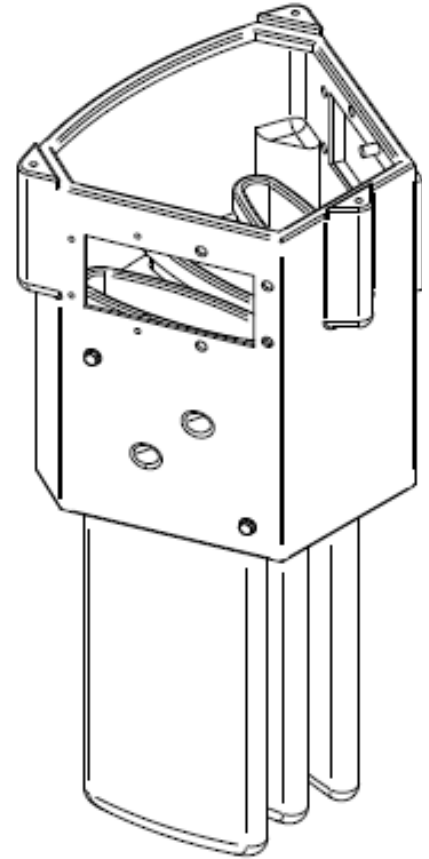
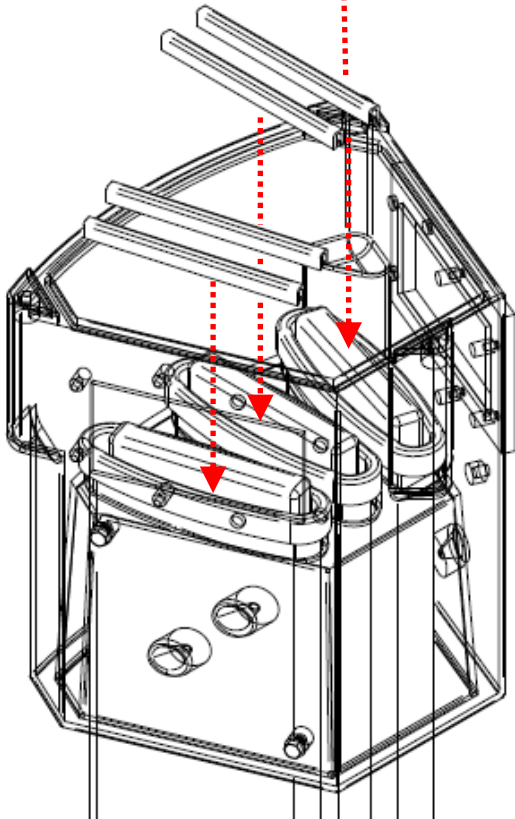
***Note: Fold rubber collar on opening of filter ribbon around the top of each corresponding ovular mounting ring in filter module**

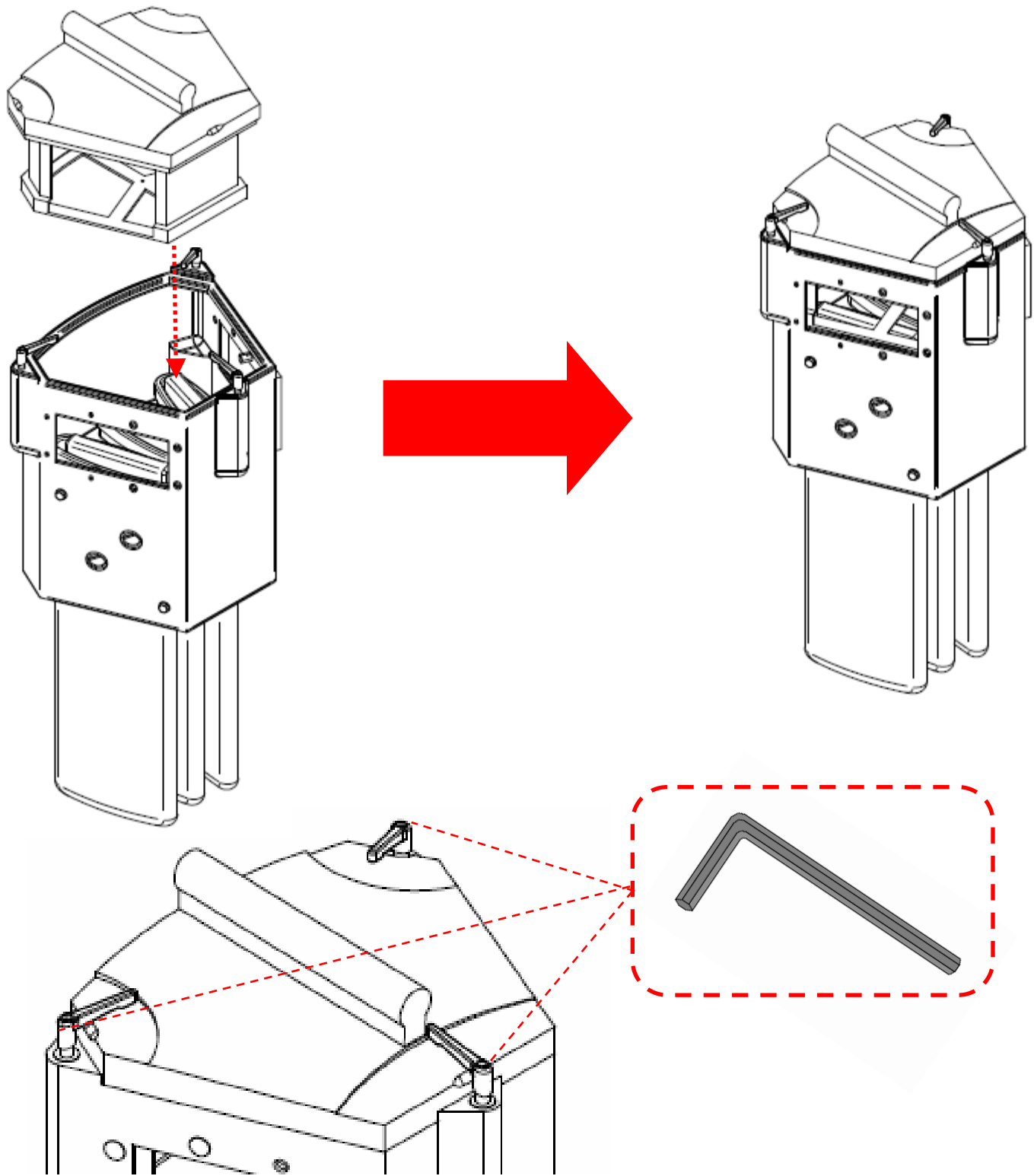


Flexible Clips
x 6



***Note: secure each of the module Filter Ribbons to the ovular mounting ring using (2) flexible clamps per ribbon**





***Note: Ensure each cam latch is centered over its corresponding indentation in the Filter Module Lid before fully tightening.**