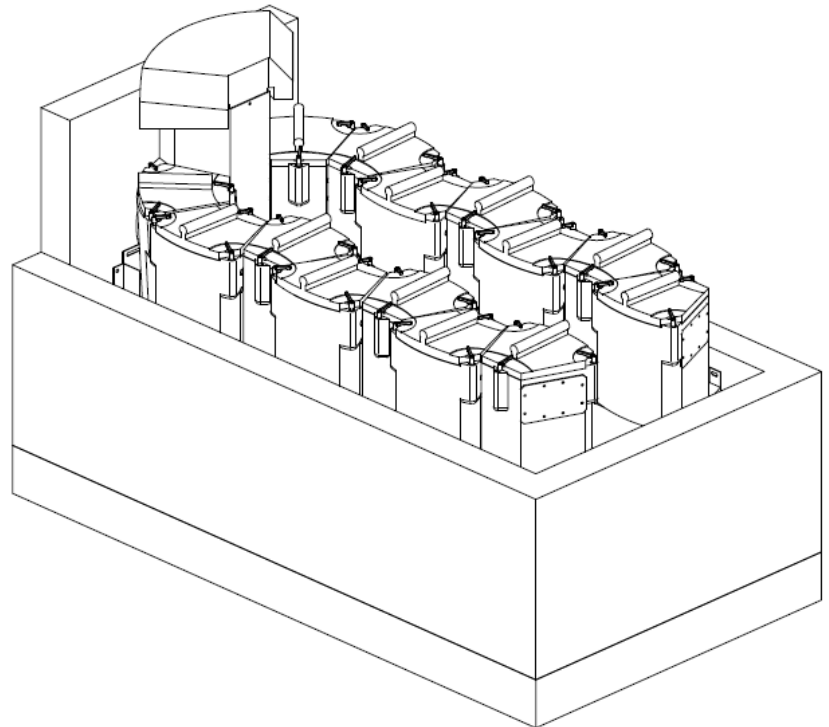
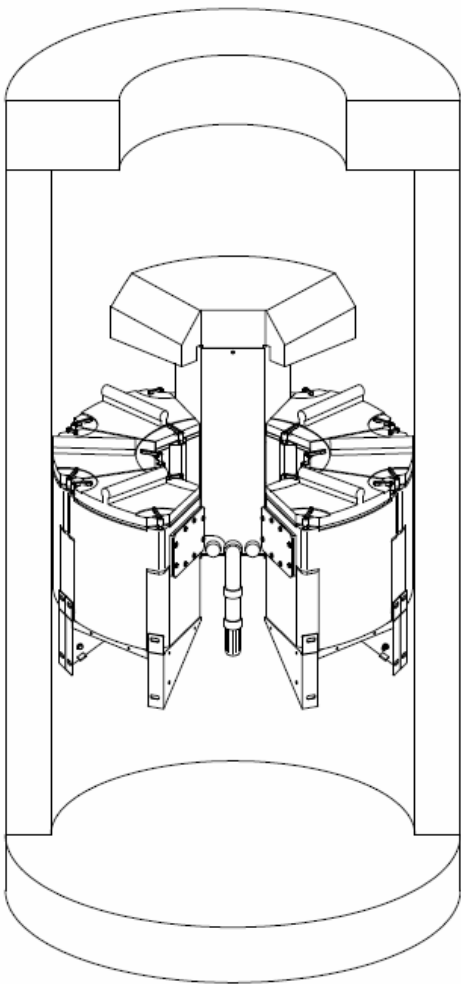
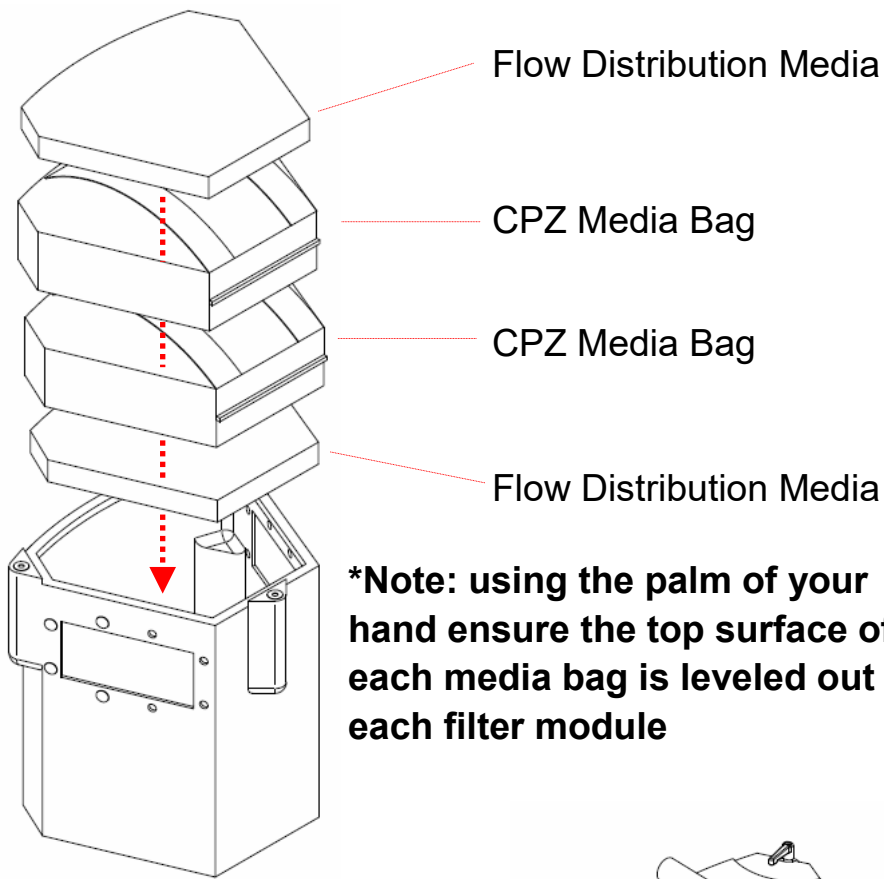


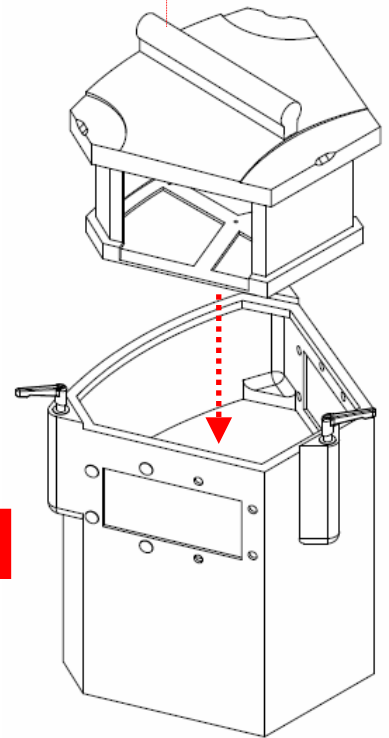
Up-Flo[®] Filter Media Pack Installation Guidelines



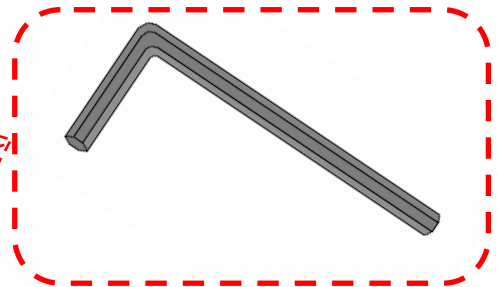
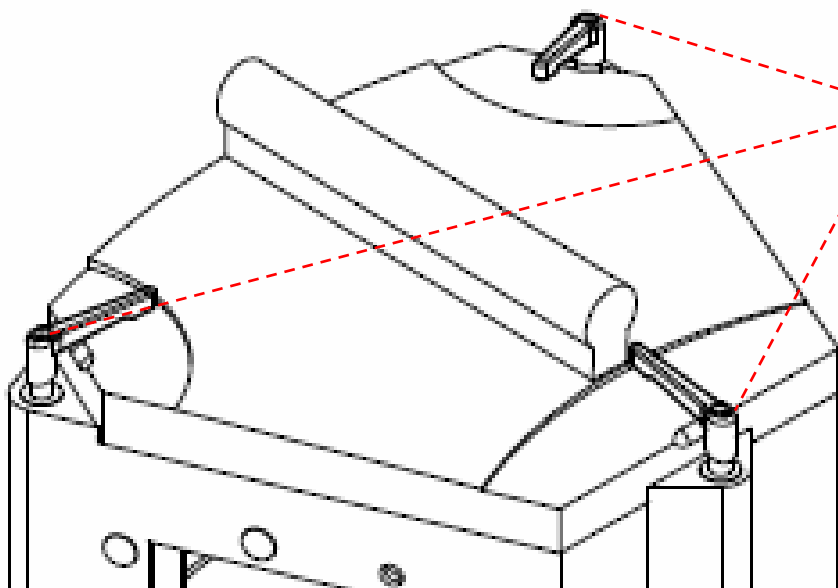
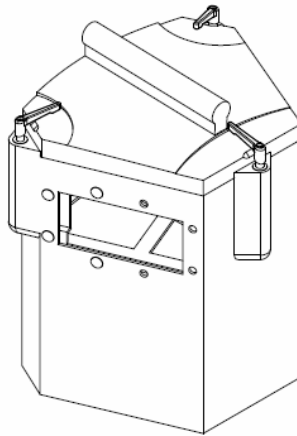


***Note: using the palm of your hand ensure the top surface of each media bag is leveled out in each filter module**

Filter Module Lid



***Note: Ensure top layer of flow distribution media is leveled out below the conveyance channels and the Filter Module Lid forms a tight seal.**



***Note: Ensure each cam latch is centered over its corresponding indentation in the Filter Module Lid before fully tightening.**