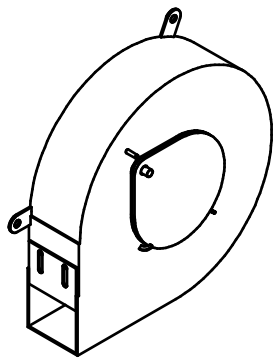


**Section B-B**  
(view on mounting block)

Technical Specification Criteria		
BBA Approved	Head (m)	Flow (L/s)
Design Point		
Flush Flow		
Kick Flow		
Optimisation		

Physical Specification	
Min. Block Width	
Min. Block Height	
Min. Sump Depth	
Min. Outlet Diameter	

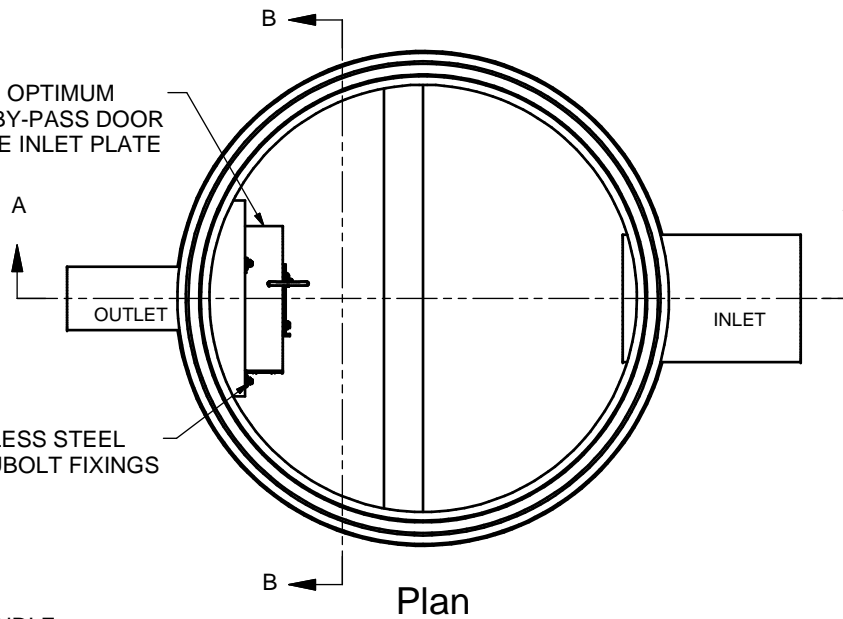


BBA APPROVED S  
HYDRO-BRAKE OPTIMUM™  
WITH ADJUSTABLE INLET PLATE

NOTE - A pre-formed Hydro-Brake® Chamber Base is available from Hydro International with Hydro-Brake Optimum™ pre-fitted

HYDRO-BRAKE™ OPTIMUM WITH PIVOTING BY-PASS DOOR AND ADJUSTABLE INLET PLATE (SEE NOTE 3)

STAINLESS STEEL THROUGH BOLT FIXINGS



**Plan**

PULL HANDLE

ACCESS POSITIONED ABOVE BY-PASS DOOR IF POSSIBLE

PIVOTING BY-PASS DOOR OPERATING SS ROPE

CAST ON CONCRETE MOUNTING BLOCK

HYDRO-BRAKE OPTIMUM™

OUTLET

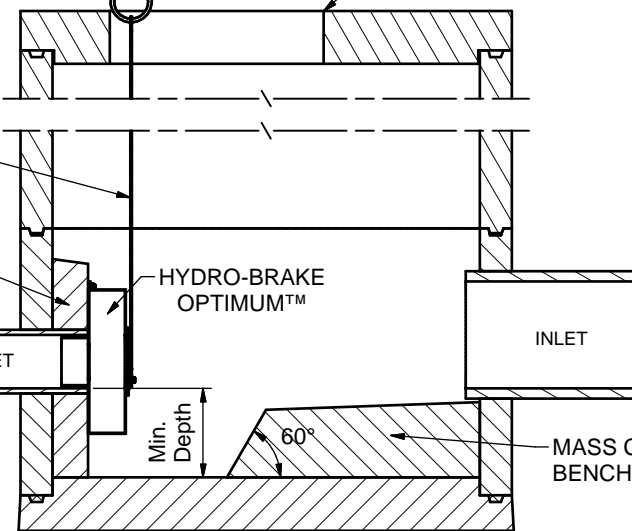
INLET

MIN. OUTLET DIA

Min. Depth

60°

MASS CONCRETE BENCHING



**Section A-A**



1. THIS DRAWING SHALL BE READ IN CONJUNCTION WITH ALL RELEVANT GENERAL ARRANGEMENT & DETAIL DRAWINGS.
2. ALL COMPONENTS SHALL BE MANUFACTURED IN ACCORDANCE WITH THE PRODUCTION SPECIFICATION HRD-FM09/15.
3. HYDRO-BRAKE OPTIMUM™ IS ALSO AVAILABLE WITH ALTERNATIVE FIXING MOUNTS (E.G. CURVED BACK PLATE, PUSH FIT)

REV	BY	DATE	DESCRIPTION
REVISION HISTORY			

Date: 09/03/2012 Scale: 1:15

Drawn By: swaters Checked By: Approved By:

HYDRO-BRAKE OPTIMUM™ FOR SURFACE WATER WITH ADJUSTABLE INLET PLATE

GENERAL ARRANGEMENT



Shearwater House  
Clevedon Hall Estate  
Victoria Road, Clevedon,  
North Somerset, BS21 7RD  
Tel: 01275 878371  
Fax: 01275 874979

ANY WARRANTY GIVEN BY HYDRO INTERNATIONAL WILL APPLY ONLY TO THOSE ITEMS SUPPLIED BY IT. ACCORDINGLY HYDRO INTERNATIONAL CANNOT ACCEPT ANY RESPONSIBILITY FOR ANY STRUCTURE, PLANT, OR EQUIPMENT, (OR THE PERFORMANCE THERE OF) DESIGNED, BUILT, MANUFACTURED, OR SUPPLIED BY ANY THIRD PARTY. HYDRO INTERNATIONAL HAVE A POLICY OF CONTINUOUS DEVELOPMENT AND RESERVE THE RIGHT TO AMEND THE SPECIFICATION. HYDRO INTERNATIONAL CANNOT ACCEPT LIABILITY FOR PERFORMANCE OF ITS EQUIPMENT, (OR ANY PART THEREOF), IF THE EQUIPMENT IS SUBJECT TO CONDITIONS OUTSIDE ANY DESIGN SPECIFICATION. HYDRO INTERNATIONAL OWNS THE COPYRIGHT OF THIS DRAWING, WHICH IS SUPPLIED IN CONFIDENCE. IT MUST NOT BE USED FOR ANY PURPOSE OTHER THAN THAT FOR WHICH IT IS SUPPLIED AND MUST NOT BE REPRODUCED, IN WHOLE OR IN PART, WITHOUT PRIOR PERMISSION IN WRITING FROM HYDRO INTERNATIONAL.

©2012 HYDRO INTERNATIONAL

**DO NOT SCALE DRAWING**

UNLESS OTHERWISE SPECIFIED, DIMENSIONS ARE IN MILLIMETRES. TOLERANCING INFORMATION IS FOUND IN PRODUCTION SPECIFICATION HRD-FM09/15

Approximate Weight:	N/A	enquiries@hydro-international.co.uk
Finish:		Next Assembly: Next Ass'y
Treatment:		PROJECT (Wipe No.)
Sheet Size: A3	Sheet: 1 OF 1	Drawing No. HBO-SA1 Rev A