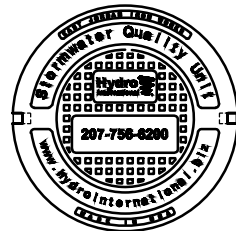


PLAN VIEW



HYDRO FRAME AND COVER (INCLUDED)

GRADE RINGS BY OTHERS AS REQUIRED

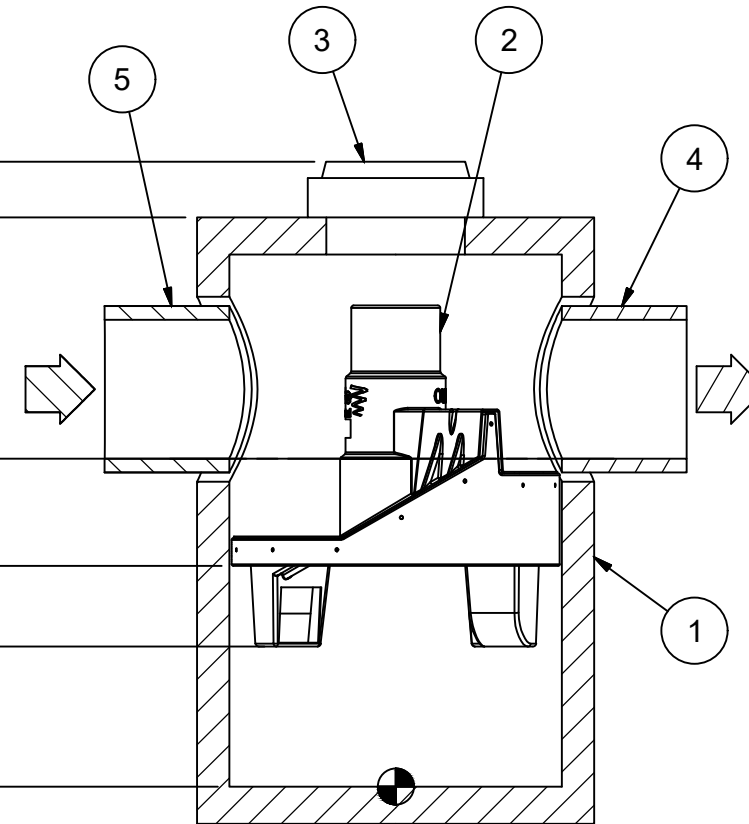
T.O.S.: 10.27 ft [3.130 m] (MINIMUM)

NOTE: ADDITIONAL HEIGHT MAYBE REQUIRED DEPENDING ON PIPE SIZE
 PIPE INVERTS: 5.92 ft [1.804 m] (MINIMUM)

PREASSEMBLY REFERENCE: 3.98 ft [1.214 m]

BOTTOM OF INTERNALS: 2.53 ft [.770 m]

SUMP: .00 ft [.000 m]



SECTION A-A
SCALE 1:40

PROJECTION

IF IN DOUBT ASK

COMMENTS:

1. MANHOLE WALL AND SLAB THICKNESSES ARE NOT TO SCALE.

2. CONTACT HYDRO INTERNATIONAL FOR A BOTTOM OF STRUCTURE ELEVATION PRIOR TO SETTING FIRST DEFENSE MANHOLE.

3. CONTRACTOR TO CONFIRM RIM, PIPE INVERTS, PIPE DIA. AND PIPE ORIENTATION PRIOR TO RELEASE OF UNIT TO FABRICATION.

DATE: 11/8/2019 SCALE: 1:40

DRAWN BY: JLL3 CHECKED BY: - APPROVED BY: -

Title: 6-ft DIAMETER
FIRST DEFENSE HIGH CAPACITY

GENERAL ARRANGEMENT



hydro-int.com
HYDRO INTERNATIONAL

DO NOT SCALE DRAWING
STEEL FABRICATION TOLERANCES
 UNLESS OTHERWISE SPECIFIED,
 DIMENSIONS ARE IN INCHES.

LINEAR: 000 - 012in = ±0.04in, 012 - 024in = ±0.06in, 024 - 048in = ±0.08in, 048 - 120in = ±0.12in, 120in >>>> = ±0.20in
 ANGULAR: 000 - 120in = ±1°, 120 - 240in = ±0.5°, 240in >>>> = ±0.25°

WEIGHT: N/A MATERIAL: -

STOCK NUMBER: 1

DRAWING NO.: 6FDHC_FDHC GA

SHEET SIZE: B SHEET: 1 OF 1 Rev: -

PRODUCT SPECIFICATION:

1. PEAK HYDRAULIC FLOW: 32.0 cfs (906 l/s)
2. MIN SEDIMENT STORAGE CAPACITY: 1.6 cu. yd. (1.2 cu. m.)
3. OIL STORAGE CAPACITY: 496 gal. (1878 liters)
4. MAXIMUM INLET/OUTLET PIPE DIAMETERS: 30 in. (750 mm)
5. THE TREATMENT SYSTEM SHALL USE AN INDUCED VORTEX TO SEPARATE POLLUTANTS FROM STORMWATER RUNOFF.
6. MORE PRODUCT INFORMATION INCLUDING REGULATORY ACCEPTANCES, PLEASE VISIT <https://hydro-int.com/en/products/first-defense>

GENERAL NOTES:

1. General Arrangement drawings only. Contact Hydro International for site specific drawings.
2. The diameter of the inlet and outlet pipes may be no more than 30".
3. Multiple inlet pipes possible (refer to project plan).
4. Inlet/outlet pipe angle can vary to align with drainage network (refer to project plan.s)
5. Peak flow rate and minimum height limited by available cover and pipe diameter.
6. Larger sediment storage capacity may be provided with a deeper sump depth.

PARTS LIST				
ITEM	QTY	SIZE (in)	SIZE (mm)	DESCRIPTION
1	1	72	1800	I.D. PRECAST MANHOLE
2	1			INTERNAL COMPONENTS (PRE-INSTALLED)
3	1	30	750	FRAME AND COVER (ROUND)
4	1	30 (MAX)	750 (MAX)	OUTLET PIPE (BY OTHERS)
5	1	30 (MAX)	750 (MAX)	INLET PIPE (BY OTHERS)

ANY WARRANTY GIVEN BY HYDRO INTERNATIONAL WILL APPLY ONLY TO THOSE ITEMS SUPPLIED BY IT. ACCORDINGLY HYDRO INTERNATIONAL CANNOT ACCEPT ANY RESPONSIBILITY FOR ANY STRUCTURE, PLANT, OR EQUIPMENT, (OR THE PERFORMANCE THERE OF) DESIGNED, BUILT, MANUFACTURED, OR SUPPLIED BY ANY THIRD PARTY. HYDRO INTERNATIONAL HAVE A POLICY OF CONTINUOUS DEVELOPMENT AND RESERVE THE RIGHT TO AMEND THE SPECIFICATION. HYDRO INTERNATIONAL CANNOT ACCEPT LIABILITY FOR PERFORMANCE OF ITS EQUIPMENT, (OR ANY PART THEREOF), IF THE EQUIPMENT IS SUBJECT TO CONDITIONS OUTSIDE ANY DESIGN SPECIFICATION. HYDRO INTERNATIONAL OWNS THE COPYRIGHT OF THIS DRAWING, WHICH IS SUPPLIED IN CONFIDENCE. IT MUST NOT BE USED FOR ANY PURPOSE OTHER THAN THAT FOR WHICH IT IS SUPPLIED AND MUST NOT BE REPRODUCED, IN WHOLE OR IN PART, WITHOUT PRIOR PERMISSION IN WRITING FROM HYDRO INTERNATIONAL.