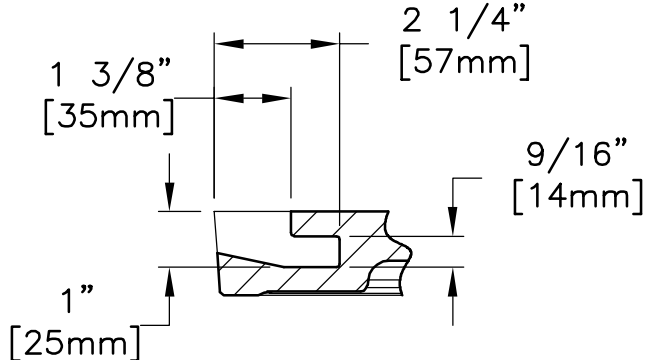


COVER SECTION



PICKHOLE DETAIL

EJW EAST JORDAN
 IRON WORKS EST. 1883
 800-626-4653
 www.ejiw.com
 MADE IN USA

PRODUCT NUMBER
41600143

CATALOG NUMBER
V-1600-1

COVER

LOAD RATING
HEAVY DUTY

COATING
DIPPED

ESTIMATED WEIGHT
 COVER: 75 LBS 34kg

MATERIAL SPECIFICATION
 COVER - GRAY IRON
 ASTM A48 CL35B

OPEN AREA
 N/A

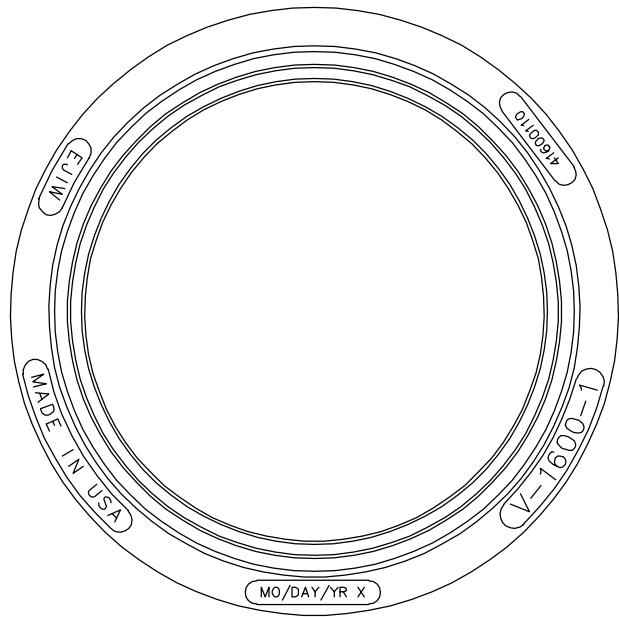
√ DESIGNATES MACHINE SURFACE

DRAWN SMH	DATE 12/23/06
--------------	------------------

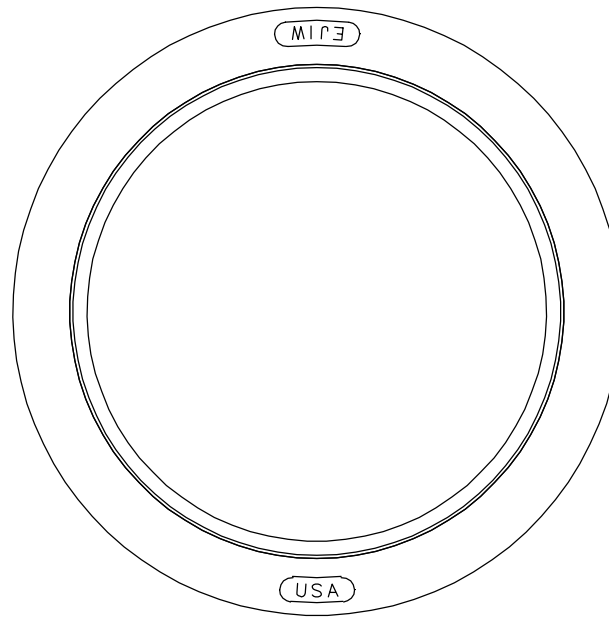
LAST REVISED SMH	DATE 01/10/07
---------------------	------------------

REFERENCE INFORMATION
 41600142

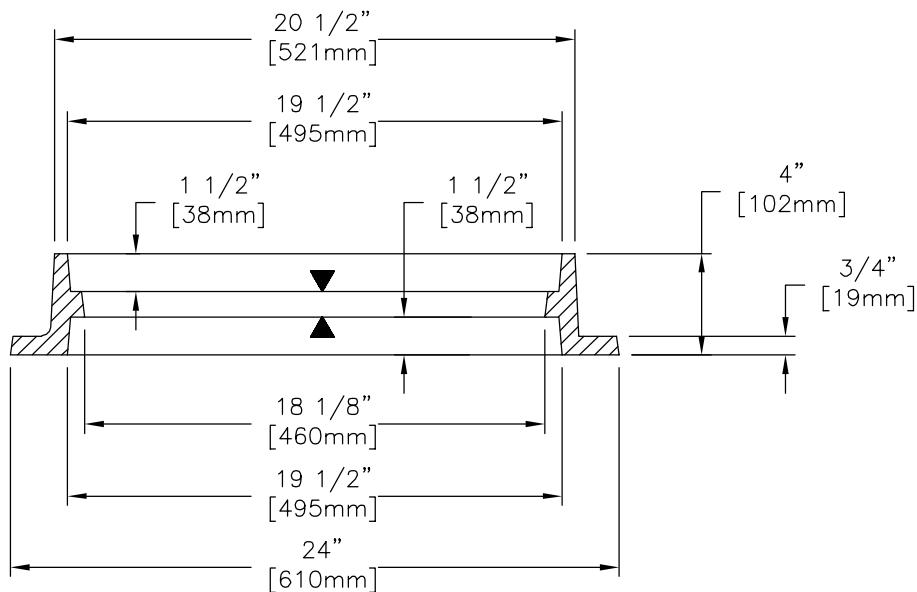
CONFIDENTIAL: This drawing is the property of East Jordan Iron Works, Inc. and embodies confidential information, trade secret information, and/or know how that is the property of East Jordan Iron Works, Inc. © Copyright 2006 East Jordan Iron Works, Inc.



RING BOTTOM FLANGE VIEW



RING TOP FLANGE VIEW



RING SECTION

▼ MACHINED SURFACE

NOTE: FRAME IS REVERSIBLE.
WHEN ORDERING, SPECIFY TOP FLANGE
OR BOTTOM FLANGE

EAST JORDAN
IRON WORKS, INC.
P.O. BOX 439
EAST JORDAN, MI. 49727
1-800-874-4100
FAX 231-536-4458

DRAWN SBB/DAL	DATE 10/20/03
APPROVED	DATE

V-1600-1
REVERSIBLE RING

PRODUCT NO.
41600110
UNDIPPED

CATALOG NO.
V-1600-1

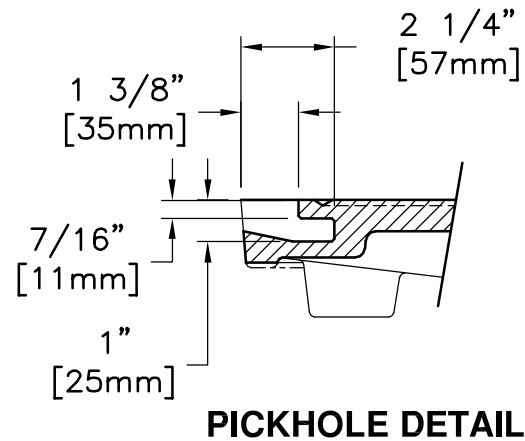
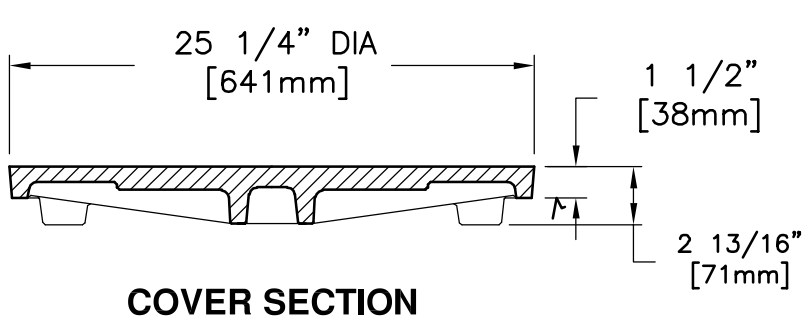
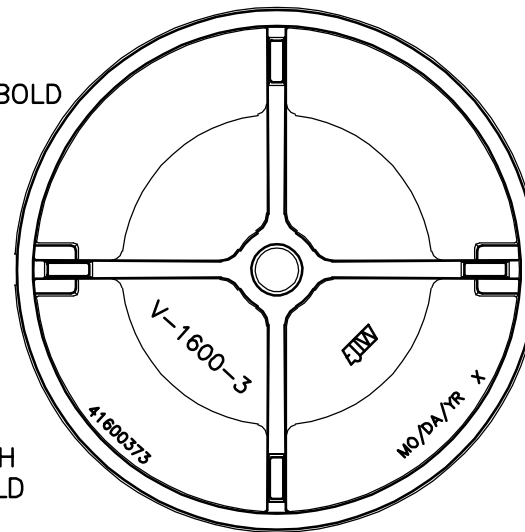
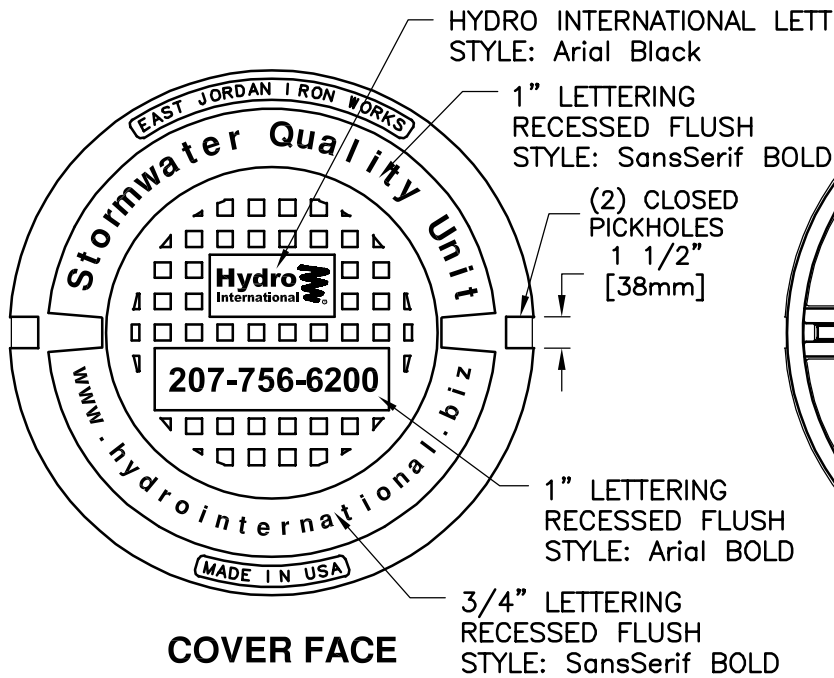
REF. PRODUCT DRAWING
41600110

EST. WT.
RING: 64 LBS 29kg

OPEN AREA
N/A

MAT'L SPEC.
RING- GRAY IRON
ASTM A48 CL35

LOAD RATING
HEAVY DUTY



EJIW EAST JORDAN
IRON WORKS EST. 1883

800-626-4653
www.ejiw.com
MADE IN USA

PRODUCT NUMBER

41600373

CATALOG NUMBER

V-1600-3

COVER

LOAD RATING
HEAVY DUTY
(HS-25)

COATING
DIPPED

ESTIMATED WEIGHT
COVER: 135 LBS 61kg

MATERIAL SPECIFICATION
COVER - GRAY IRON
ASTM A48 CL35B

OPEN AREA
N/A

√ DESIGNATES MACHINE SURFACE

DRAWN SMH	DATE 12/23/06
--------------	------------------

LAST REVISED SMH	DATE 01/10/07
---------------------	------------------

REFERENCE INFORMATION

41600342

**EAST JORDAN
IRON WORKS, INC.**
P.O. BOX 439
EAST JORDAN, MI. 49727
1-800-874-4100
FAX 231-536-4458

DRAWN
DEW

DATE
08/20/02

APPROVED

DATE

**V1600-3
REVERSIBLE RING**

PRODUCT NO.
41600310
UNDIPPED

CATALOG NO.
V1600-3

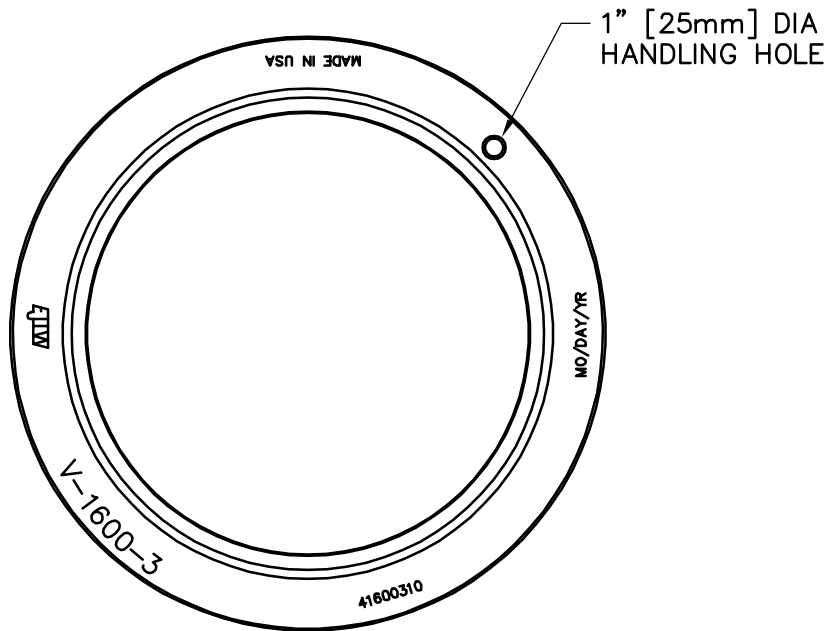
REF. PRODUCT DRAWING
41600310

EST. WT.
RING: 120 LBS 54kg

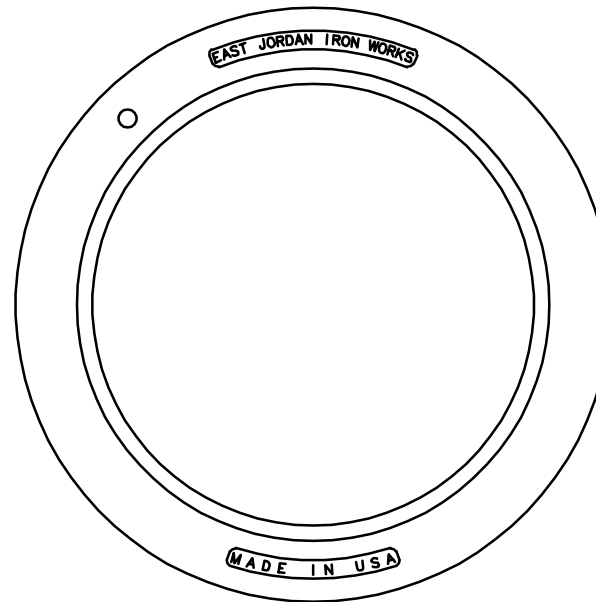
OPEN AREA
N/A

MAT'L SPEC.
RING - GRAY IRON
ASTM A48 CL35B

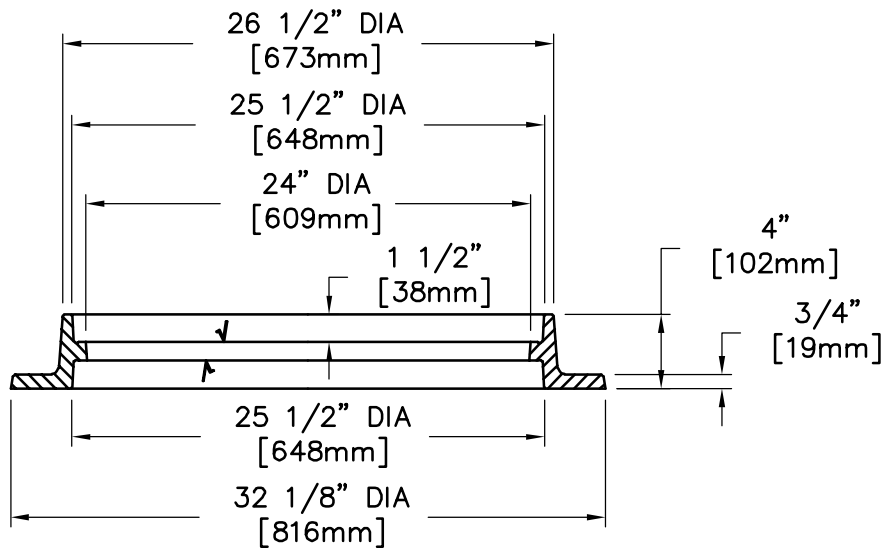
LOAD RATING
HEAVY DUTY



RING BOTTOM FLANGE VIEW



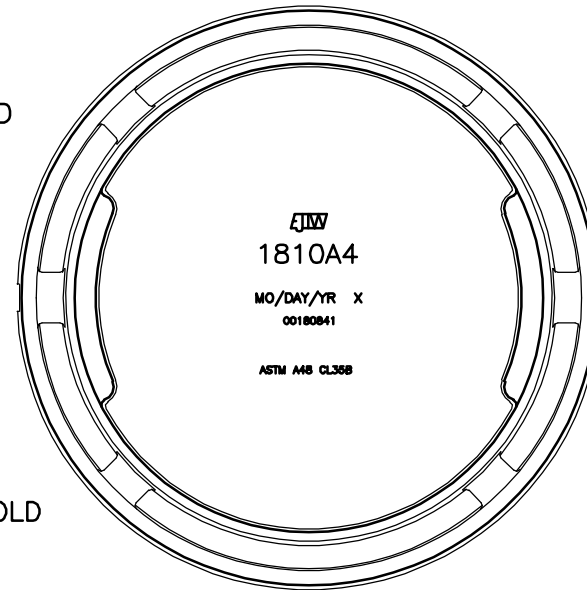
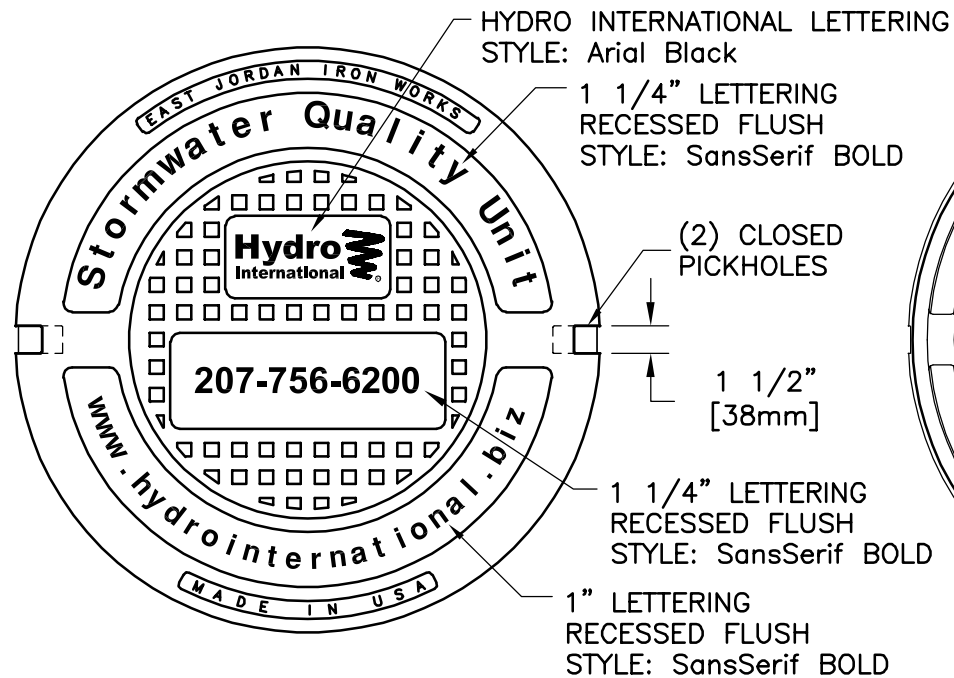
RING TOP FLANGE VIEW



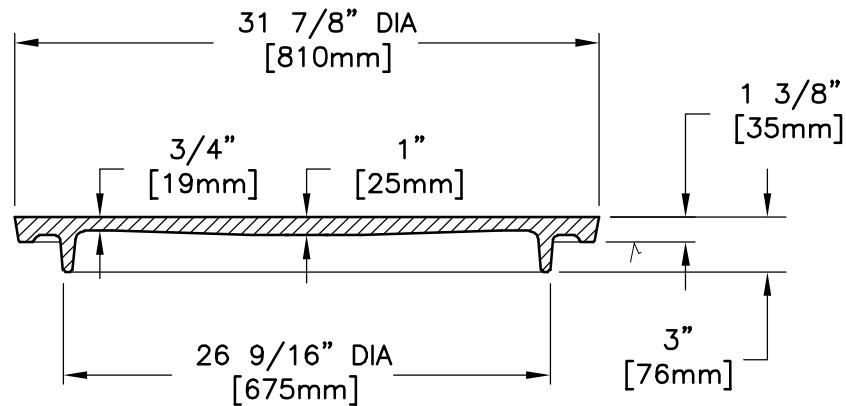
RING SECTION

✓ MACHINED SURFACE

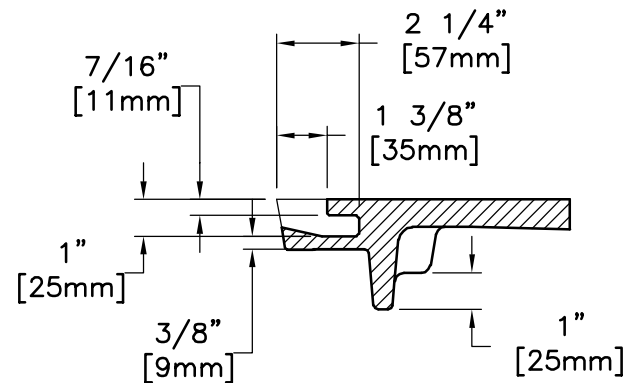
NOTE: FRAME IS REVERSIBLE.
WHEN ORDERING, SPECIFY TOP FLANGE
OR BOTTOM FLANGE



BOTTOM VIEW



COVER SECTION



PICKHOLE DETAIL

EJIW EAST JORDAN
IRON WORKS EST.1883

800-626-4653
www.ejiw.com
MADE IN USA

PRODUCT NUMBER

00180841

CATALOG NUMBER

1810A4

COVER

LOAD RATING

HEAVY DUTY

COATING

DIPPED

ESTIMATED WEIGHT

COVER: 208 LBS 94kg

MATERIAL SPECIFICATION

COVER - GRAY IRON
ASTM A48 CL35B

OPEN AREA

N/A

√DESIGNATES MACHINE SURFACE

DRAWN
SMH

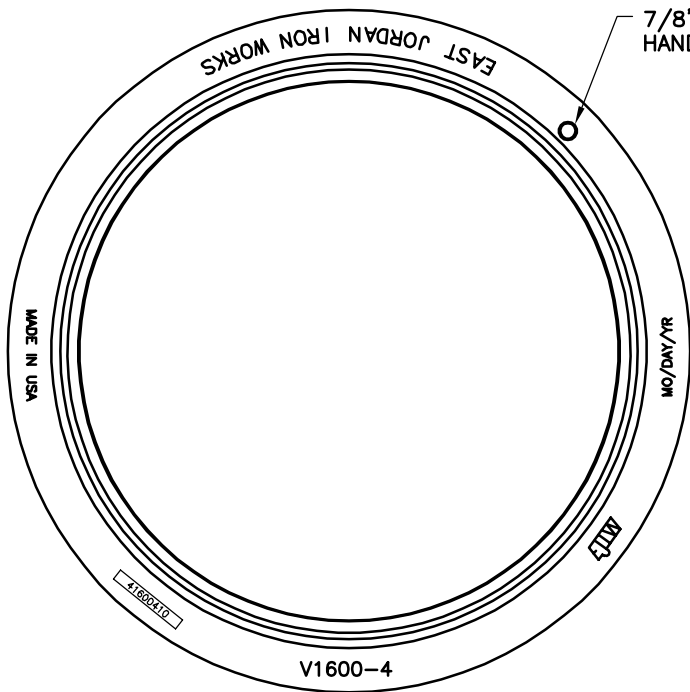
DATE
04/11/05

LAST REVISED
DAL

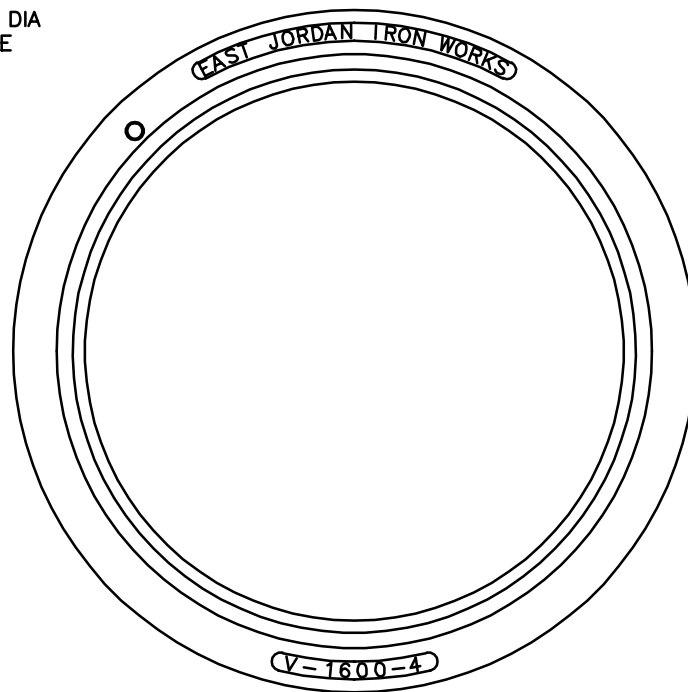
DATE
03/12/07

REFERENCE INFORMATION

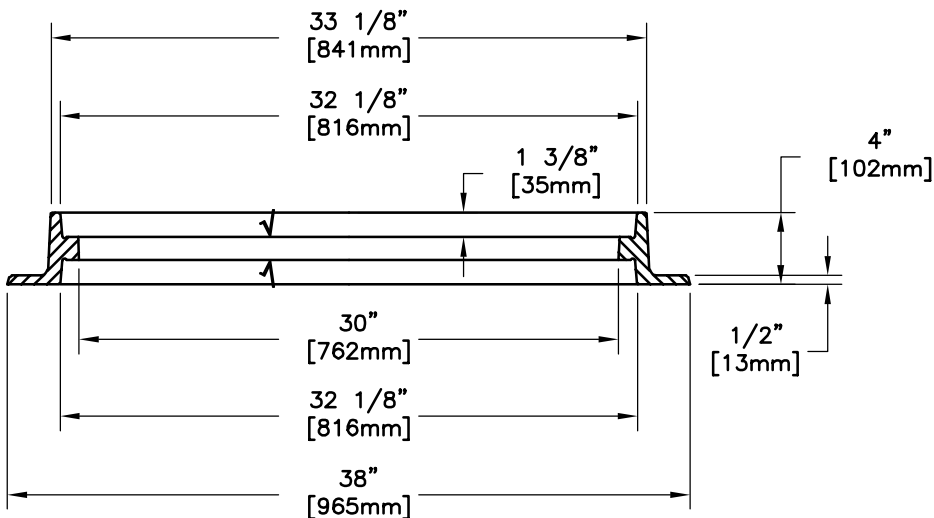
00180842



RING BOTTOM FLANGE VIEW



RING TOP FLANGE VIEW



RING SECTION

√ MACHINED SURFACE

NOTE: FRAME IS REVERSIBLE.
WHEN ORDERING, SPECIFY TOP FLANGE
OR BOTTOM FLANGE

**EAST JORDAN
IRON WORKS, INC.**
P.O. BOX 439
EAST JORDAN, MI. 49727
1-800-874-4100
FAX 231-536-4458

DRAWN DEW	DATE 03/21/02
--------------	------------------

APPROVED	DATE
----------	------

V1600-4
REVERSIBLE RING

PRODUCT NO.
41600410
UNDIPPED

CATALOG NO.
V-1600-4

REF. PRODUCT DRAWING
41600410

EST. WT.
RING: 135 LBS 61kg

OPEN AREA
N/A

MAT'L SPEC.
RING - GRAY IRON
ASTM A48 CL35

LOAD RATING
HEAVY DUTY