

# Up-Flo™ Filter

Deliver high performance, multi-stage treatment of stormwater in a single device

## Product Summary

The Up-Flo™ Filter is an advanced stormwater filter that delivers high-performance, multi-stage treatment in a small footprint device.

The Up-Flo™ Filter combines sedimentation and screening along with fluidised bed filtration to remove a range of pollutants from stormwater.

Designed with efficiency, longevity and upkeep in mind, the Up-Flo™ Filter has high loading rates and long media life, which means you'll get high quality water treatment for longer periods between servicings.

## Applications

Ideal for use in high-density urban environments where high pollutant loadings need to be managed in limited space, or where it is difficult to control stormwater quality using conventional or natural SuDS techniques alone.

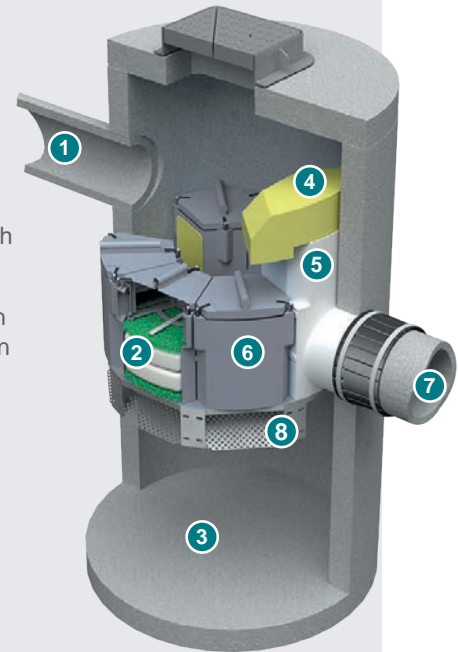
- » Industrial areas
- » Highways
- » Car parks
- » Pre-treatment for natural SuDS features (such as swales and ponds).
- » For use with other natural SuDS treatment to meet required performance standards.
- » Retrofit surface water treatment for space-constrained urban areas.

## Targeted Pollutants

- » Very fine particles
- » Gross pollutants
- » Liquid and sediment bound hydrocarbons
- » Sediment bound heavy metals
- » Sediment bound nutrients
- » Option to remove dissolved heavy metals with the CPZ media mix.

## Main Features

1. Inlet pipe.
2. Media pack.
3. Sump.
4. Bypass siphon with floatables baffle.
5. Outlet module with integral drain down port.
6. Filter module.
7. Outlet pipe.
8. Angled screen.



## Benefits

### Meet stormwater quality objectives cost-effectively in a small footprint

The Up-Flo™ Filter can be used in conjunction with other treatment solutions, including natural SuDS such as ponds or constructed wetlands, to help meet more stringent stormwater quality objectives.

### Deliver exceptional treatment on any catchment

The Up-Flo™ Filter's modular components deliver high-performance, multi-stage treatment, achieving a high quality of surface water discharge. It is ideal for use in urban environments where high pollutant loadings need to be managed in limited space.

### Rely on verified performance

The Up-Flo™ Filter has a proven track record and verified performance with regulation agencies around the world.



Find out how the Up-Flo™ Filter multi-stage treatment can help you improve stormwater quality. Watch the video:

→ [https://youtu.be/\\_bdEgIMFLDo](https://youtu.be/_bdEgIMFLDo)

## How it Works

- » Stormwater enters the chamber via an inlet pipe or inlet grate and fills the chamber, as flow is directed up through the angled screen and Filter Modules.
- » Gross debris and sediment settle out in the sump. Oil and floatables rise to the surface of the water.
- » Treated water flows out of the Filter Module to the Outlet Module and into the outlet pipe.
- » Excess flows are discharged to the outlet using a Siphonic Bypass, which also acts as a floatables baffle preventing the escape of oil and floatable trash.
- » To guard against pollutant leaching and filter media degradation between storm events, water drains out of the chamber through the filtered Drain Down Port as the storm subsides.

## Our range of stormwater treatment solutions

We have a range of stormwater treatment devices to treat stormwater flows of varying quality. All our solutions can work alongside, enable or enhance natural SuDS, helping to meet or improve on biodiversity and amenity targets.

Product		Description	Targeted pollutants						
			Sediments	Litter, debris	Liquid hydrocarbons	Sediment bound hydrocarbons, nutrients and heavy metals	Dissolved metals	Nutrients	
Downstream Defender® Select	Vortex	Vortex separator	Coarse & fine	Retained up to 2 x treatment flow rate	✗	✗	✓	✗	✗
	Vortex Plus	Vortex plus separator	Coarse & fine	Retained up to 2 x treatment flow rate	✓	✓ Option for increased retention on request	✓	✗	✗
	Advanced Vortex	Advanced hydrodynamic vortex separator	Coarse & fine	Retained up to 4 x treatment flow rate	✓	✓ Option for increased retention on request	✓	✗	✗
Up-Flo™ Filter	Sand	Fluidised bed up flow filtration system with Sand media	Very fine sediment		✓	✓	✓	✗	✓
	CPZ	Fluidised bed up flow filtration system with CPZ media	Very fine sediment		✓	✓	✓	✓	✓
Hydro Biofilter™		Biofiltration system	Very fine and dissolved sediments		✓	✓	✓	✓	✓

To find out more about our range of stormwater treatment solutions visit:

» [Downstream Defender® Select](#)

[Up-Flo™ Filter](#)

[Hydro-Biofilter™](#)



Patent: [www.hydro-int.com/patents](http://www.hydro-int.com/patents)

📍 Hydro International, Unit 2, Rivermead Court  
Kenn Business Park, Windmill Road, Kenn  
📞 Clevedon, BS21 6FT  
✉ Tel: +44 (0)1275 337937  
🌐 Email: [stormwater@hydro-int.com](mailto:stormwater@hydro-int.com)  
🌐 Web: [hydro-int.com](http://hydro-int.com)



Find out more about how the Up-Flo™ Filter can help you meet your planning and stormwater quality objectives:

→ [hydro-int.com/upflo](http://hydro-int.com/upflo)