

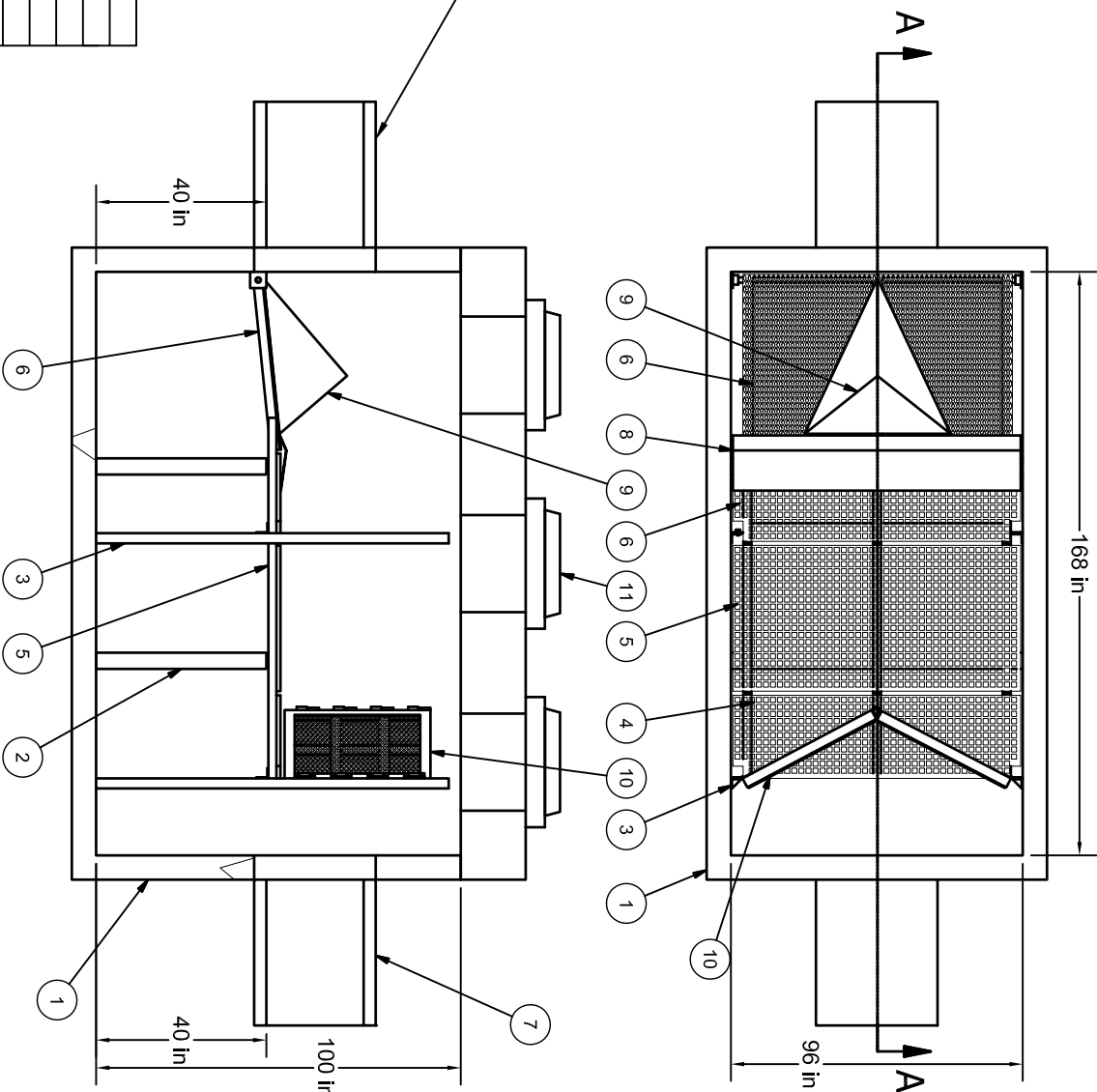
MAXIMUM PIPE SIZE: 48 in

EQUIPMENT PERFORMANCE

Max. Treatment Flow Rate = 93 cfs
 Typical Treatment Flow Rate = 37 cfs
 Open office area of screen system = 78.4 sq.ft.
 Min. Screenings Storage capacity = 14.2 yd³
 Min. Sediment storage volume = 4.4 yd³

Parts List

ITEM	QTY	SIZE	DESCRIPTION
1	1	8 ft x 14 ft	VAULT
2	2		BAFFLES
3	4		MOUNTING BRACKETS
4	3		HORZ. SCREEN PANELS
5	1		FRAME
6	1		INLET SCREEN PANEL
7	2	48 in	INLET/OUTLET PIPES (BY OTHERS)
8	1		TRANSITION CONNECTOR
9	1		FLOW SPREADER
10	2		VERT. SCREEN WEIR
11	3	30 in	FRAME AND COVER



Notes

1. MANHOLE WALL AND SLAB THICKNESSES ARE NOT TO SCALE.
2. CONTACT HYDRO INTERNATIONAL FOR A BOTTOM OF STRUCTURE ELEVATION PRIOR TO SETTING HYDRO DRYSCREEN SYSTEMS.
3. CONTRACTOR TO CONFIRM RIM, PIPE INVERTS, PIPE DIA. AND PIPE ORIENTATION PRIOR TO RELEASE OF UNIT TO FABRICATION.

JF	1/15/15	FIRST ISSUE
REV/BY	DATE	DESCRIPTION

REVISION HISTORY

Date	Scale
1/15/15	NTS

Drawn	Checked	Approved
JF		

Title
 DRYSCREEN
 8' x 14' VAULT

GENERAL ARRANGEMENT



Stormwater Solutions
 94 Hutchins Drive
 Portland, Maine 04102
 Tel: (207) 756-6200
 Fax: (207) 756-6212
 stormwaterinquiry@hydro-int.com

CAD Ref: DS-8x14
 Project No. XX-XXXX
 Drawing No. DS-8x14 Rev.

Any warranty made by Hydro International only applies to those items supplied by it. Hydro International does not accept and expressly disclaims any responsibility or liability for any structure, plant or equipment (or the performance thereof) designed, built, manufactured or supplied by any third-party. Hydro International has a policy of continuous product development and reserves the right to amend the specifications of any of its products or equipment at any time. Hydro International expressly disclaims any liability for the performance of its equipment (or any part thereof) used or made subject to conditions outside of the conditions set forth in Hydro International's design specifications. Hydro International owns the copyright in and to this drawing, which is supplied in confidence, and all intended recipients of the drawing, by their use thereof, agree to hold the drawing in confidence and not to use it for any purpose other than for which it was supplied and not reproduce, in whole or in part, the drawing or any of the equipment or structures depicted therein, without prior written permission of Hydro International.