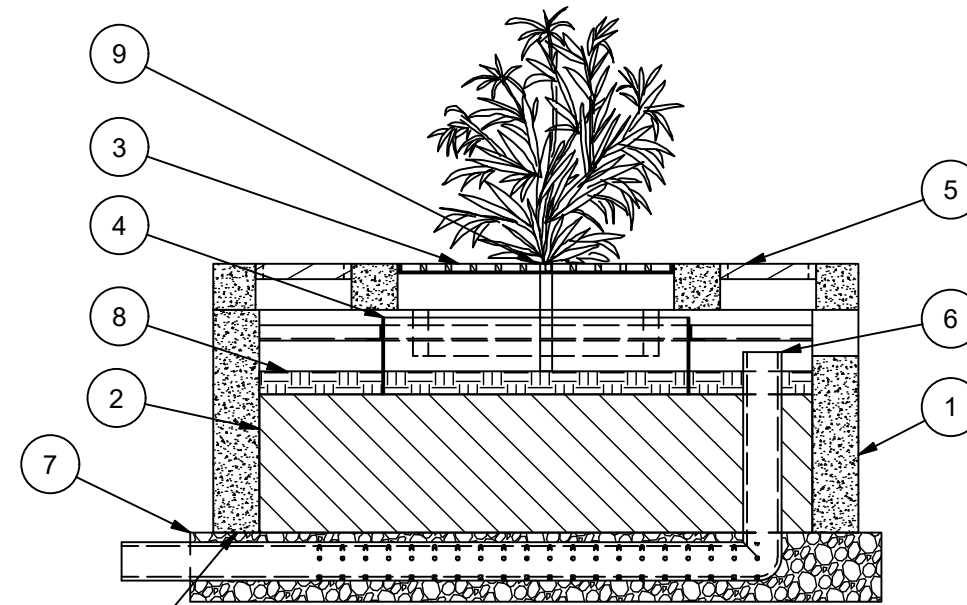
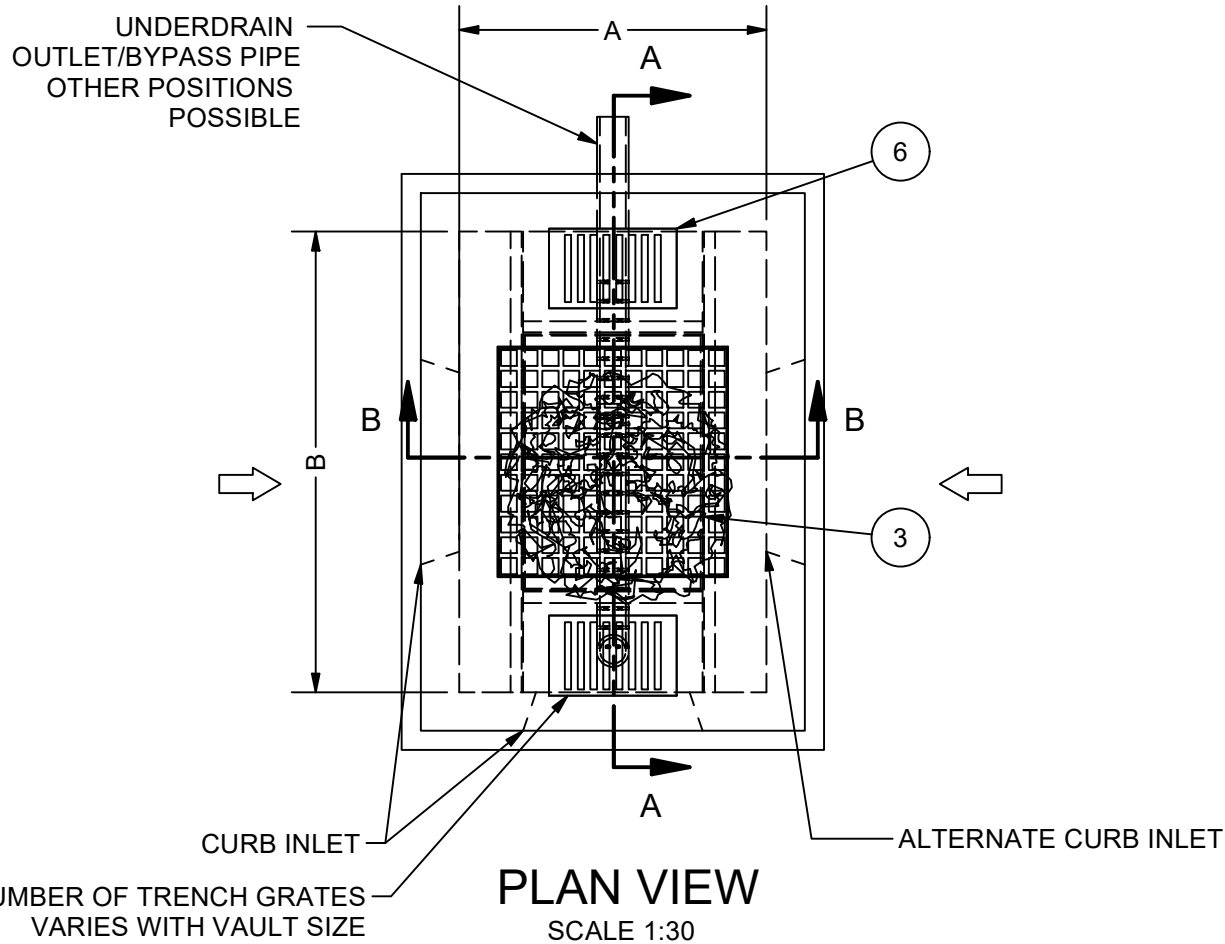


ALTERNATE SIZES					
Vault Size	Dim. A (in)	Dim. B (in)	Media (CY)	Underdrain Size (in)	Minimum Height (in)
4X4	48	72	0.88	6	47
4X6	48	72	1.33	6	47
4X8	48	96	1.78	6	47
4X12	48	144	2.67	8	49
4X16	48	192	3.56	12	53
6X6	72	72	2.00	8	49
6X8	72	96	2.67	8	49
6X12	72	144	4.00	12	53
8X8	96	96	3.56	12	53
8X12	96	144	5.33	15	56
8X16	96	192	7.11	15	56
8X18.5	96	222	8.22	18	59

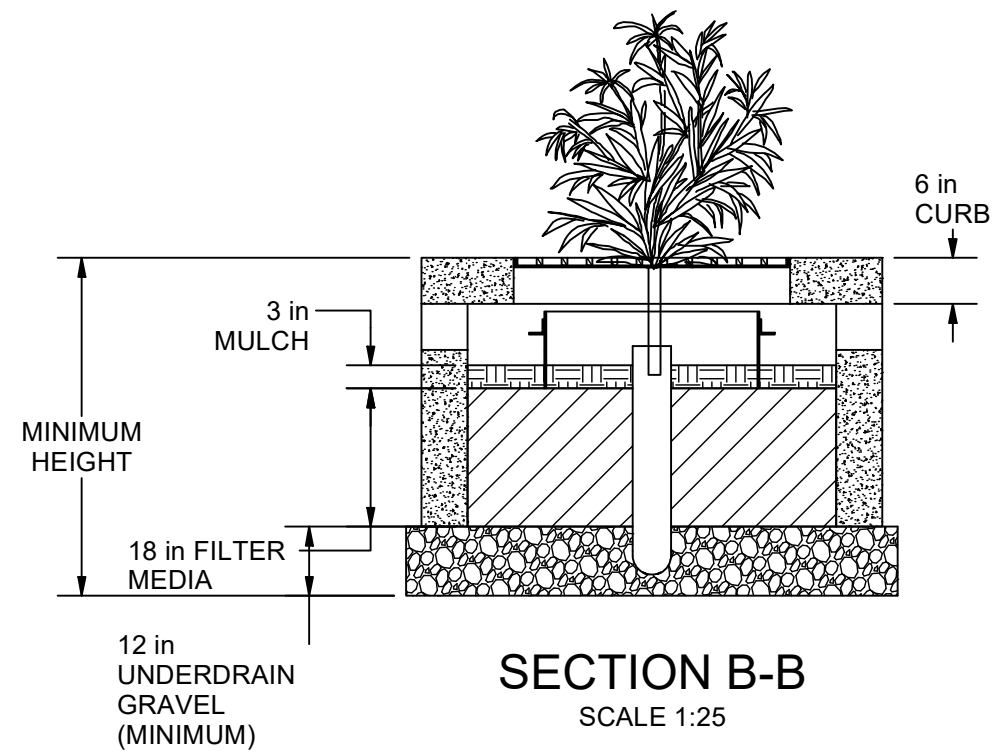


SECTION A-A
SCALE 1:25

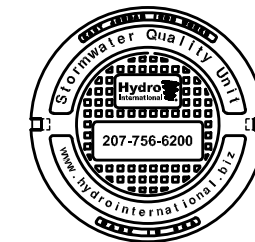
STRUCTURE OPEN BOTTOM (OPTIONAL)



PLAN VIEW
SCALE 1:30



SECTION B-B
SCALE 1:25



HYDRO FRAME AND COVER (INCLUDED)
GRADE RINGS BY OTHERS AS REQUIRED

PARTS LIST	
ITEM	PART NUMBER
1	STORMSCAPE VAULT
2	MEDIA
3	TREE GRATE (36X36)
4	BAFFLE
5	TRENCH GRATE (12X20)
6	UNDERDRAIN (SUPPLIED BY OTHERS)
7	GRAVEL (SUPPLIED BY OTHERS)
8	MULCH (SUPPLIED BY OTHERS)
9	PLANT (SUPPLIED BY OTHERS)

- COMMENTS:
1. STRUCTURE WALL AND SLAB THICKNESS ARE NOT TO SCALE.
 2. STRUCTURE SUPPLIED WITH AN OPEN BOTTOM, FULL VAULT AVAILABLE UPON REQUEST.
 3. CONTACT HYDRO INTERNATIONAL FOR A BOTTOM OF STRUCTURE ELEVATION.
 4. FILTER MEDIA SUPPLIED BY HYDRO INTERNATIONAL.
 5. ALTERNATE CONFIGURATIONS AVAILABLE UPON REQUEST.
 6. NON-TREE GRATE FRAME AND COVER OPTIONS AVAILABLE.



IF IN DOUBT ASK

DATE: 1/21/2021	SCALE: 1:30
DRAWN BY: EHR	CHECKED BY:
APPROVED BY:	

Title
STORMSCAPE
CONCRETE

GENERAL ARRANGEMENT

Hydro International

hydro-int.com

©2021 HYDRO INTERNATIONAL

WEIGHT:	MATERIAL:
STOCK NUMBER:	
DRAWING NO.: STORMSCAPE CONCRETE GA	
SHEET SIZE: B	SHEET: 1 OF 1
Rev: -	