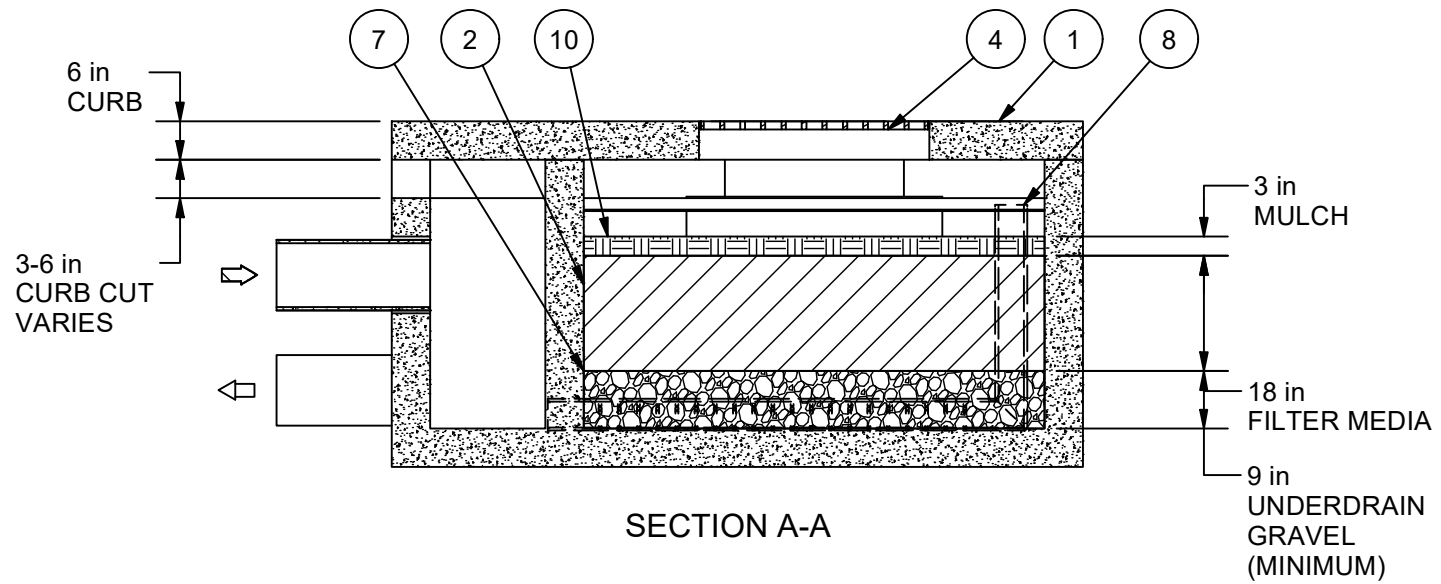
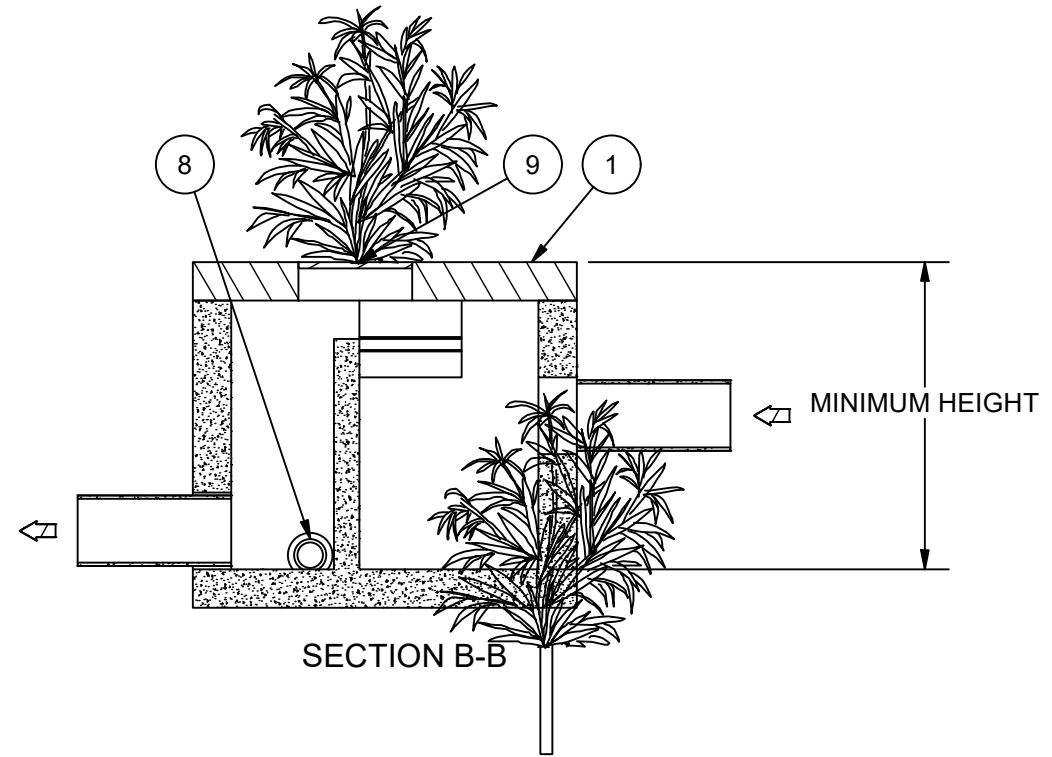
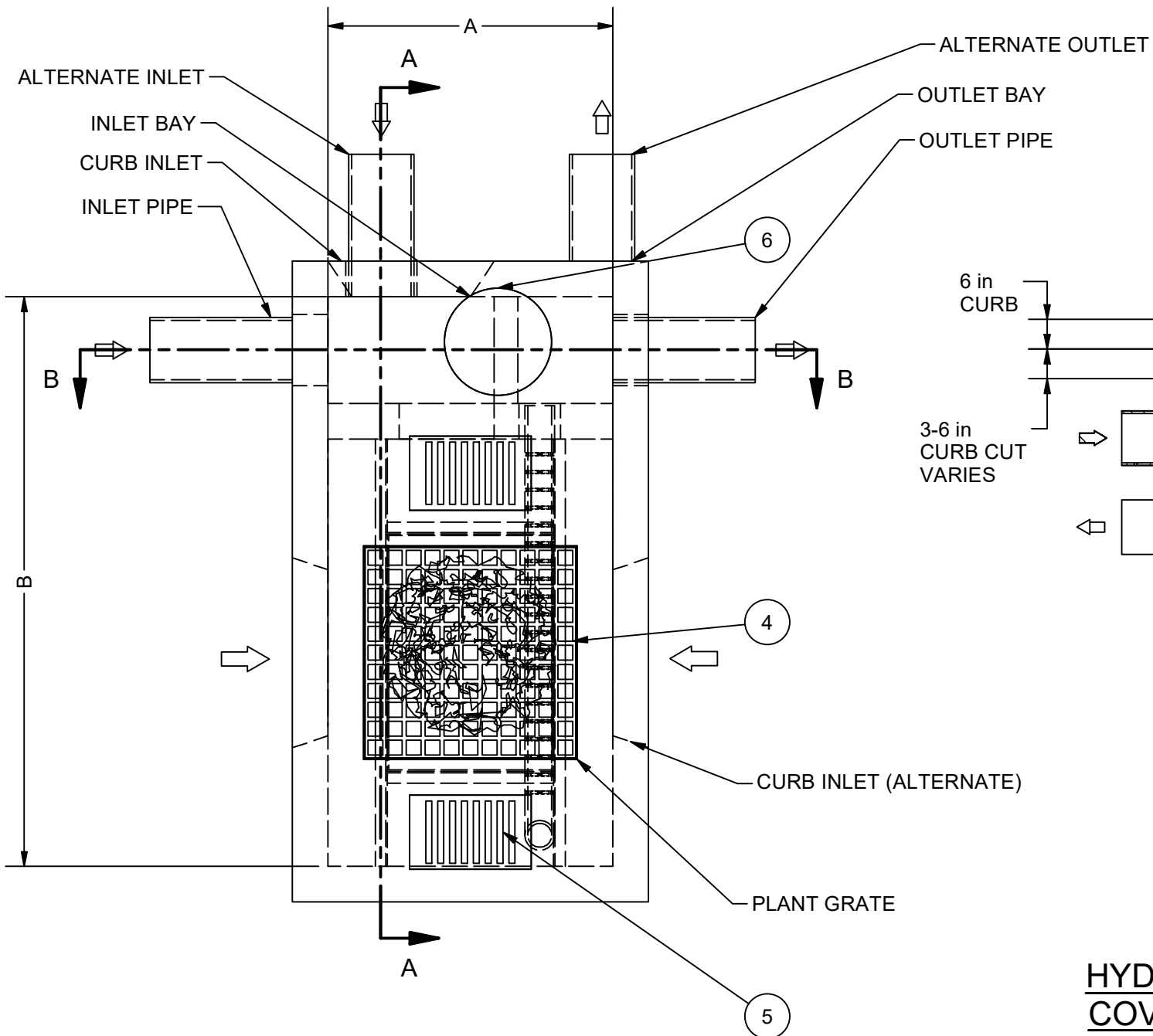


ALTERNATE SIZES					
Vault Size	Dim. A (in)	Dim. B (in)	Media (CY)	Underdrain Size (in)	Minimum Height (in)
4X8	48	96	1.33	6	47
4X10	48	120	2.22	8	49
6X6	72	72	1.33	8	49
6X8	72	96	1.78	8	49
6X10	72	120	2.67	12	53
8X8	96	96	2.67	12	53
8X10	96	120	4.44	15	56
8X18.5	96	222	6.88	18	59



COMMENTS:

1. STRUCTURE WALL AND SLAB THICKNESSES ARE NOT TO SCALE.
2. CONTACT HYDRO INTERNATIONAL FOR A BOTTOM OF STRUCTURE ELEVATION
3. FILTER MEDIA SUPPLIED BY HYDRO INTERNATIONAL
4. ALTERNATE CONFIGURATIONS AVAILABLE UPON REQUEST
5. NON-TREE GRATE FRAME AND COVER OPTIONS AVAILABLE



IF IN DOUBT ASK

DATE: 3/10/2021	SCALE: 1:25	
DRAWN BY: EHR	CHECKED BY:	APPROVED BY:

Title
STORMSCAPE
CONCRETE BYPASS
GENERAL ARRANGEMENT

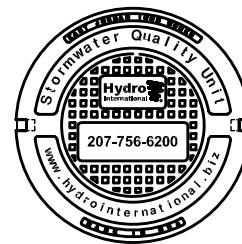


hydro-int.com

©2021 HYDRO INTERNATIONAL

WEIGHT:	MATERIAL:	
STOCK NUMBER:		
DRAWING NO.: STORMSCAPE BYPASS GA		
SHEET SIZE: B	SHEET: 1 OF 1	Rev: -

PARTS LIST	
ITEM	PART NUMBER
1	STORMSCAPE VAULT
2	MEDIA
3	BAFFLE
4	TREE GRATE (36X36)
5	TRENCH GRATE (12X20)
6	FRAME AND COVER (24 in)
7	GRAVEL (SUPPLIED BY OTHERS)
8	UNDERDRAIN (SUPPLIED BY OTHERS)
9	PLANT (SUPPLIED BY OTHERS)
10	MULCH (SUPPLIED BY OTHERS)



HYDRO FRAME AND COVER (INCLUDED)

GRADE RINGS BY OTHERS AS REQUIRED