

PROJECTION

- COMMENTS:
1. STRUCTURE WALL AND SLAB THICKNESSES ARE NOT TO SCALE
 2. CONTACT HYDRO INTERNATIONAL FOR A BOTTOM OF STRUCTURE ELEVATION PRIOR TO SETTING THE STRUCTURE
 3. NOT FOR CONSTRUCTION CONTACT HYDRO FOR SITE SPECIFIC DRAWING
 4. NOT ALL SIZES AVAILABLE IN ALL AREAS
 5. SUMP DEPTH AVAILABLE IN 24" (610mm) CPZ, RIBBONS AND 36" (914mm) LONG RIBBONS DEPTH

REVISION HISTORY			
REV	BY	DESCRIPTION	DATE
-	ER	FIRST RELEASE	6/17/2019

DATE: 6/17/2019 SCALE: NTS

DRAWN BY: ER CHECKED BY: APPROVED BY:

Title
UP-FLO FILTER
 4ft Manhole

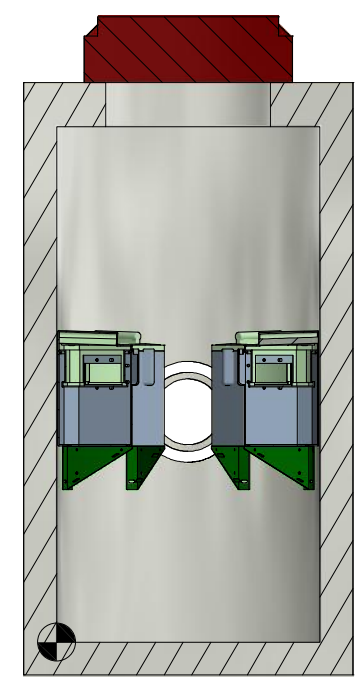
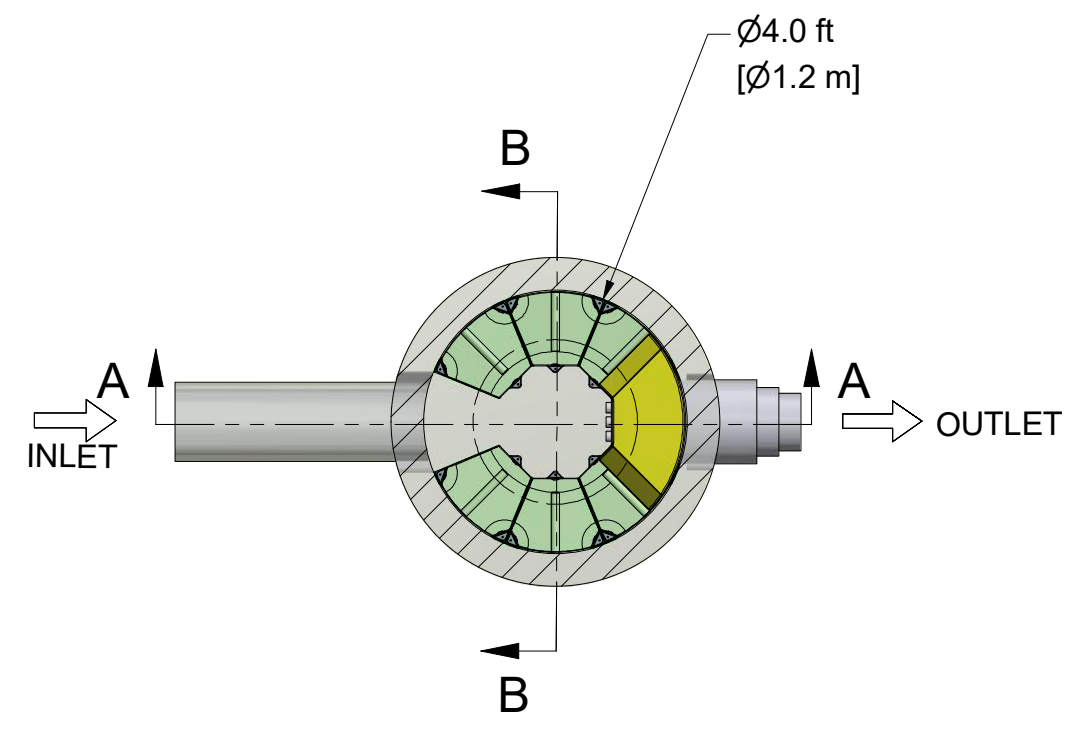
6 MODULES MAX

Sizing Tool

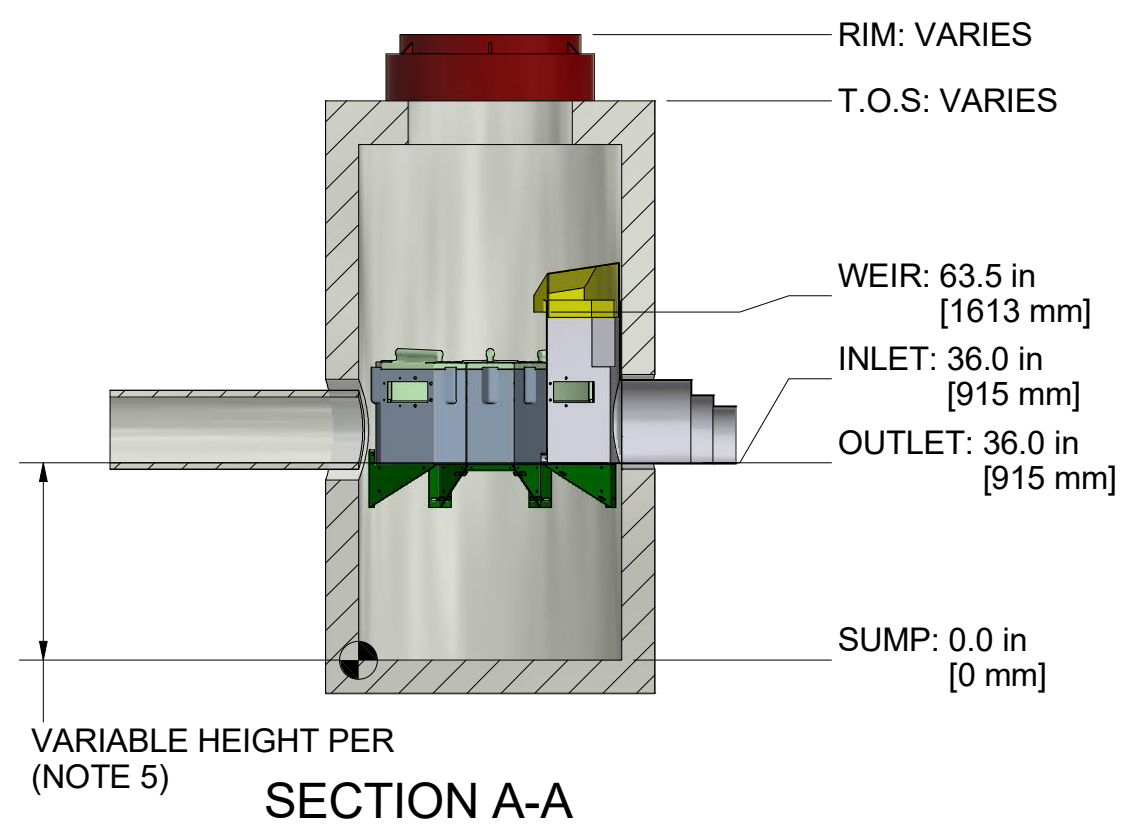
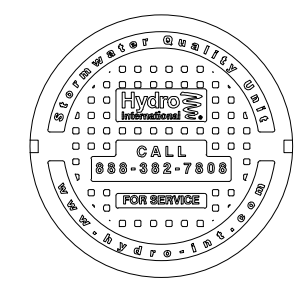
Hydro International

94 Hutchins Drive
 Portland, ME 04102
 Tel: +1 (207) 756-6200
 Fax: +1 (207) 756-6212
 hydro-int.com

WEIGHT: N/A	MATERIAL:
NEXT ASSEMBLY: 4 MH-1	
DRAWING NO.: 4 MH-UFF-1	
SHEET SIZE: B	SHEET: 1 OF 1
Rev: -	



SECTION B-B



CAPACITIES:

- Minimum performance: 80% removal. Washington DOE/NJCAT verified at the peak treatment flow.
- Peak treatment flow:
 .033 CFS (0.9 LPS) (15 GPM) per module (Ribbons)
 .022 CFS (0.6 LPS) (10 GPM) per module (Long Ribbons)
 .056 CFS (1.6 LPS) (25 GPM) per module (CPZ)
- Maximum number of ribbon modules per outlet module: 36
- Maximum number of CPZ modules per outlet module: 18 (contract Hydro if more are required)

ADDITIONAL DESIGN INFORMATION:

- Normal operating W.S.E. is 26-30" (660-762mm) above the outlet invert
- Media Types Available: Ribbons, CPZ

ANY WARRANTY GIVEN BY HYDRO INTERNATIONAL WILL APPLY TO THOSE ITEMS SUPPLIED BY IT. ACCORDINGLY HYDRO INTERNATIONAL CANNOT ACCEPT ANY RESPONSIBILITY FOR ANY STRUCTURE, PLANT, OR EQUIPMENT, (OR THE PERFORMANCE THERE OF) DESIGNED, BUILT, MANUFACTURED, OR SUPPLIED BY ANY THIRD PARTY. HYDRO INTERNATIONAL HAVE A POLICY OF CONTINUOUS DEVELOPMENT AND RESERVE THE RIGHT TO AMEND THE SPECIFICATION. HYDRO INTERNATIONAL CANNOT ACCEPT LIABILITY FOR PERFORMANCE OF ITS EQUIPMENT, (OR ANY PART THEREOF), IF THE EQUIPMENT IS SUBJECT TO CONDITIONS OUTSIDE ANY DESIGN SPECIFICATION. HYDRO INTERNATIONAL OWNS THE COPYRIGHT OF THIS DRAWING, WHICH IS SUPPLIED IN CONFIDENCE. IT MUST NOT BE USED FOR ANY PURPOSE OTHER THAN THAT FOR WHICH IT IS SUPPLIED AND MUST NOT BE REPRODUCED, IN WHOLE OR IN PART, WITHOUT PRIOR PERMISSION IN WRITING FROM HYDRO INTERNATIONAL.

©2019 HYDRO INTERNATIONAL

DO NOT SCALE DRAWING

UNLESS OTHERWISE SPECIFIED, DIMENSIONS ARE IN INCHES.

TOLERANCES ARE:
 FRACTIONS ± 1/16
 DECIMALS:
 X.X ± .06
 X.XX ± .03
 X.XXX ± .015
 ANGLES: ± .5°