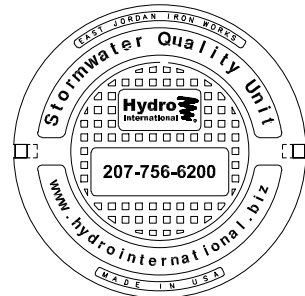
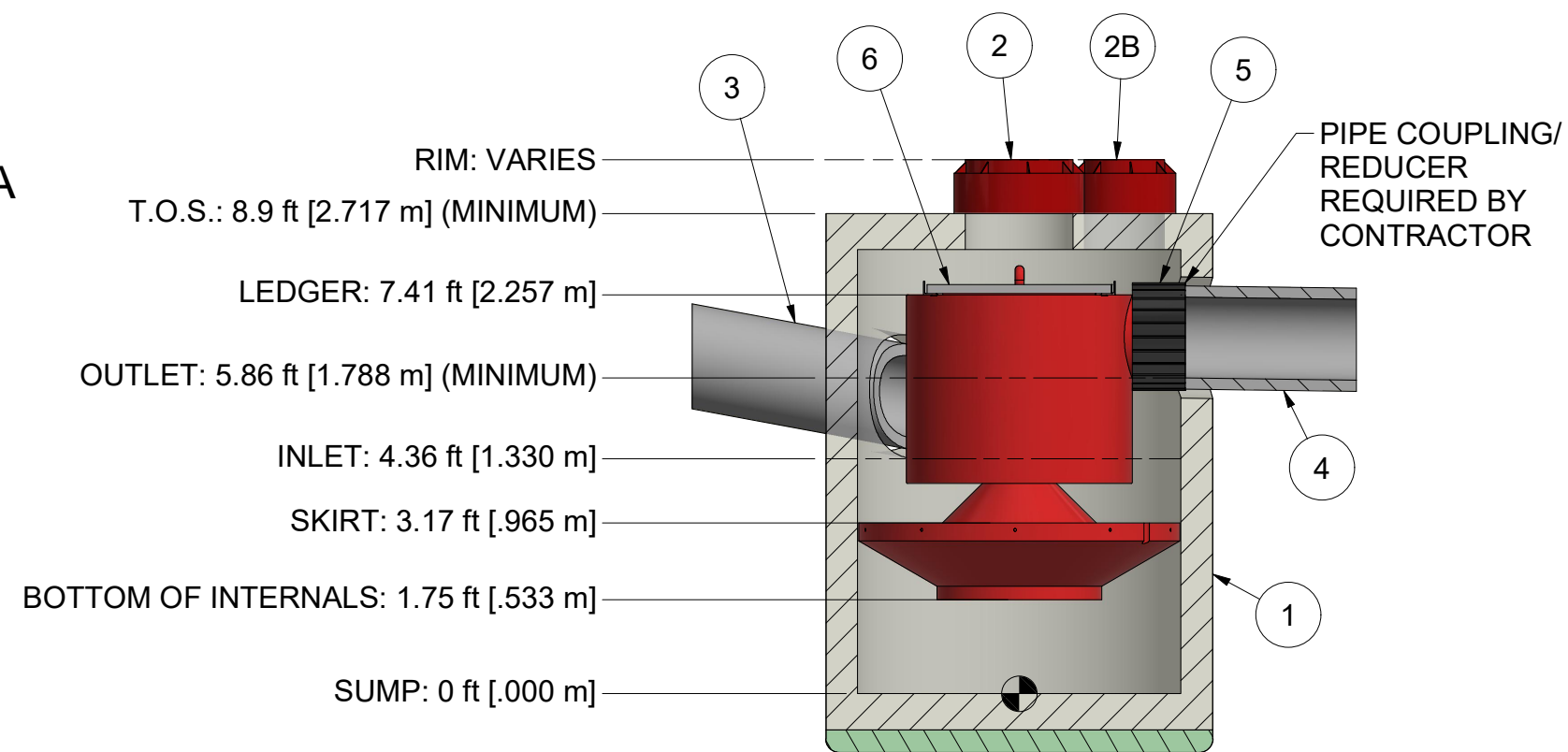
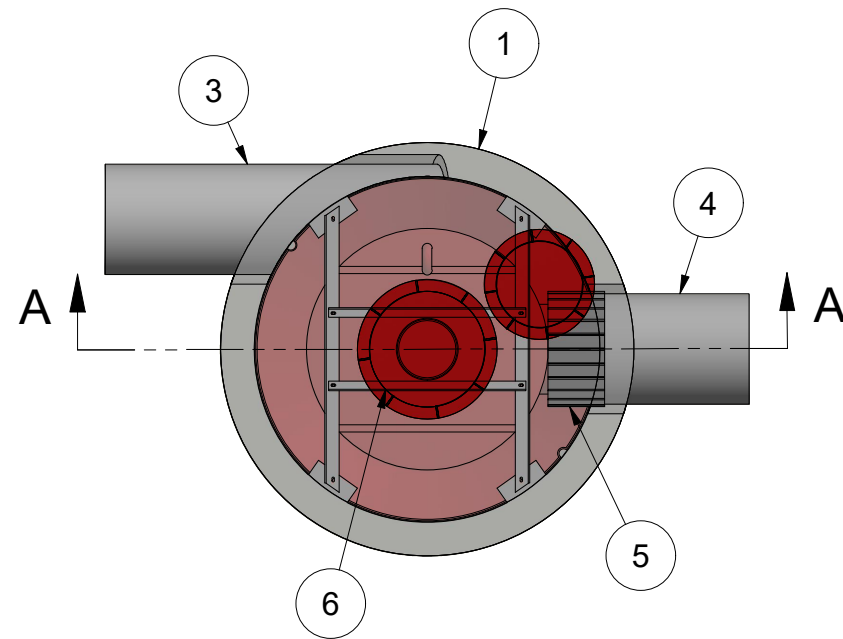


OUTLET STUB ID: 18" (450 mm)
 OUTLET STUB OD: 18.7" (475 mm)



HYDRO FRAME AND COVER (INLCUDED)
 GRADE RINGS BY OTHERS
 AS REQUIRED

STONE BASE
 PER PROJECT
 SPECIFICATIONS

SECTION A-A

PIPE COUPLING/
 REDUCER
 REQUIRED BY
 CONTRACTOR

1. MANHOLE WALL AND SLAB THICKNESSES ARE NOT TO SCALE.
2. CONTACT HYDRO INTERNATIONAL FOR A BOTTOM OF STRUCTURE ELEVATION PRIOR TO SETTING DOWNSTREAM DEFENDER MANHOLE.



IF IN DOUBT ASK

DATE: 10/8/2019	SCALE: 1 / 50	
DRAWN BY: ER	CHECKED BY: MRJ	APPROVED BY:

Title
 6ft-DIAMETER

NOTE: NOT FOR CONSTRUCTION.
 CONTACT HYDRO FOR SITE
 SPECIFIC DETAIL

EQUIPMENT PERFORMANCE

The stormwater treatment unit shall adhere to the hydraulic parameters given in the chart below and provide the removal efficiencies and storage capacities as follows:

1. The treatment system shall use an induced vortex to separate pollutants from stormwater runoff.
2. Peak Hydraulic Capacity: 8.0 cfs (227 l/s)
3. Sediment Storage Capacity: 2.10 cu. yd. (1.59 cu. m)
4. Continuous Oil Storage Capacity: 216 gal. (818 liters)
5. Sediment shall be stored in a zone that is isolated from the main flow path and protected from reentrainment by a benching skirt.
6. For more product information including regulatory acceptances, please visit <https://hydro-int.com/en/products/downstream-defender>

PARTS LIST

ITEM	QTY	SIZE (in)	SIZE (mm)	DESCRIPTION
1	1	72	1800	PRECAST MANHOLE (BY HYDRO VIA PRECASTER)
2	3	24	600	FRAME AND COVER
2B	1	18	450	FRAME AND COVER
3	1	18 (MAX)	450 (MAX)	MAX INLET PIPE (BY OTHERS)
4	1	18 (MAX)	450 (MAX)	MAX OUTLET PIPE (BY OTHERS)
5	1			PIPE COUPLING (BY OTHERS)
6	1			INTERNAL COMPONENTS (PRE-INTALLED)

GENERAL ARRANGEMENT



WEIGHT: N/A	MATERIAL:	
STOCK NUMBER: NEXT ASSY		
DRAWING NO.: DD GA-10		
SHEET SIZE: B	SHEET: 1 OF 1	Rev: A