

**HYDRO FRAME AND COVER (INCLUDED)**  
GRADE RINGS BY OTHERS AS REQUIRED

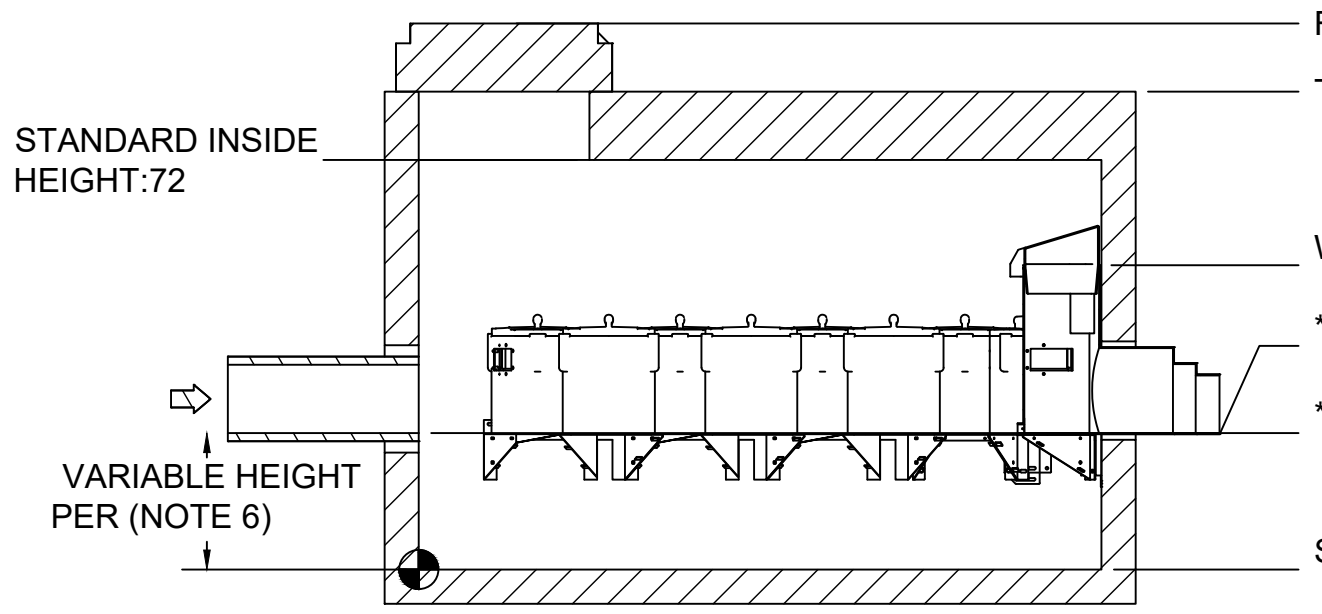
**SECTION B-B**

**CAPACITIES:**

- Minimum performance: 80% TSS removal at NJCAT/Washington DOE\* verified peak treatment flow rates.
  - Peak treatment flow:
    - NJCAT .033 CFS (0.9 LPS) (15 GPM) per module (285R Ribbons)
    - NJCAT .022 CFS (0.6 LPS) (10 GPM) per module (Long 450R Ribbons)
    - NJCAT .056 CFS (1.6 LPS) (25 GPM) per module (CPZ)
  - Maximum number of ribbon modules per outlet module: 36
  - Maximum number of CPZ modules per outlet module: 18
- Counts are maximum number of filter modules that can be connected to one outlet module in the largest vaults. Contact Hydro if more are required.
- \* See WA DOE GENERAL USE LEVEL DESIGNATION FOR BASIC (TSS) AND PHOSPHORUS TREATMENT report.

**ADDITIONAL DESIGN INFORMATION:**

- Normal operating W.S.E. is 26-30" (660-762mm) above the outlet invert
- Available Media Types: Ribbons, CPZ
- CPZ Filter will require 9 1/2" minimum drop if downstream from storage.
- Ribbon Filter will require 11 1/2" drop if downstream from storage.
- Pipe size and angles may add" to the vault length (contact Hydro for a site specific drawing)
- For inside vault heights under 72in contact Hydro
- Unit shall conform to HS20-44 load ratings



**SECTION A-A**

**OUTLET PIPE STUB SIZE INFORMATION**  
Outside Diameter: 10.5", 12.5" or 15.3" OD  
Concrete Penetration: Pipe Boot (by Hydro)  
Hook-up: Fernco-type coupling (by others)

- CONTRACTOR NOTES:**
1. STRUCTURE WALL AND SLAB THICKNESS ARE NOT TO SCALE.
  2. CONTACT HYDRO INTERNATIONAL FOR PRECAST DRAWINGS OR A BOTTOM OF STRUCTURE ELEVATION PRIOR TO SETTING THE STRUCTURE.
  3. CONTRACTOR TO CONFIRM RIM, PIPE INVERTS, PIPE Ø AND PIPE ORIENTATION PRIOR TO RELEASE OF UNIT TO FABRICATION.
  4. CONTRACTOR IS RESPONSIBLE FOR MATERIALS AND LABOR TO BRING CASTINGS TO FINISHED GRADE.
  5. ACTUAL DEPTH OF STRUCTURE MAY VARY DEPENDING ON AVAILABLE PRECAST FORMS.
  6. CONTRACTOR TO MEASURE HEIGHT OF STRUCTURE TO ENSURE THAT DEPTH OF EXCAVATION IS CORRECT.
  7. SUMP DEPTHS:  
CPZ AND 285R RIBBONS: 24"  
450R Ribbons: 36"
  8. NOT ALL SIZES AVAILABLE IN ALL AREAS



**IF IN DOUBT ASK**

DATE: 3/22/2023	SCALE: 1:35
DRAWN BY: ER	CHECKED BY: WCS
APPROVED BY: MRJ	

Title  
**UP-FLO FILTER**  
4ft X 10ft

16 MODULES MAX  
WITHOUT BYPASS

Patent: [www.hydro-int.com/patents](http://www.hydro-int.com/patents)



WEIGHT:	MATERIAL:
STOCK NUMBER:	
DRAWING NO.: 4x10 UFF GA WITHOUT BYPASS	
SHEET SIZE: B	SHEET: 1 OF 1
Rev: -	

ANY WARRANTY GIVEN BY HYDRO INTERNATIONAL WILL APPLY ONLY TO THOSE ITEMS SUPPLIED BY IT. ACCORDINGLY HYDRO INTERNATIONAL CANNOT ACCEPT ANY RESPONSIBILITY FOR ANY STRUCTURE, PLANT, OR EQUIPMENT, (OR THE PERFORMANCE THERE OF) DESIGNED, BUILT, MANUFACTURED, OR SUPPLIED BY ANY THIRD PARTY. HYDRO INTERNATIONAL HAVE A POLICY OF CONTINUOUS DEVELOPMENT AND RESERVE THE RIGHT TO AMEND THE SPECIFICATION. HYDRO INTERNATIONAL CANNOT ACCEPT LIABILITY FOR PERFORMANCE OF ITS EQUIPMENT, (OR ANY PART THEREOF), IF THE EQUIPMENT IS SUBJECT TO CONDITIONS OUTSIDE ANY DESIGN SPECIFICATION. HYDRO INTERNATIONAL OWNS THE COPYRIGHT OF THIS DRAWING, WHICH IS SUPPLIED IN CONFIDENCE. IT MUST NOT BE USED FOR ANY PURPOSE OTHER THAN THAT FOR WHICH IT IS SUPPLIED AND MUST NOT BE REPRODUCED, IN WHOLE OR IN PART, WITHOUT PRIOR PERMISSION IN WRITING FROM HYDRO INTERNATIONAL.

©2023 HYDRO INTERNATIONAL